

ACCOYA® CLADDING ON A TIMBER FRAME

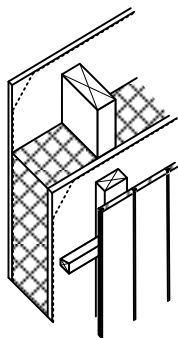
Accoya® is the world's leading high technology wood. It is produced from sustainably sourced, fast growing softwood using a non-toxic modification process from the surface to the core. The result is a durable, stable and beautiful material with the performance characteristics of the most durable tropical hardwoods but with industry-leading environmental credentials, providing for a minimum 50 year above ground life.

SUB-FRAME

Like all cladding materials, Accoya cladding performs best when installed properly on a suitable frame and in a ventilated façade system - characterised by continuous ventilation behind the cladding boards, through ventilation in- and outlets situated at the top and bottom of the façade. This ensures rain water and condensation behind the cladding to be removed and for the insulation to retain its effectiveness.

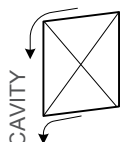
The sub-frame the cladding is fastened to should have a maximum spacing of 450 mm on centre and should consist of vertical timber battens of at least 38 x 19 mm when fully supported by a substrate. Horizontal battens and counter battens should be at least 50 x 25 mm. Support battens used with Accoya should be of a durability class 1 or 2.

In case of a discolouration risk of the cladding boards because of leaching of extractives from the timber sub-frame, apply a barrier between the sub-frame battens and the boards. Timber support battens should not be used above 18 m building height.



In case of vertical cladding, best practice is a double sub-frame where horizontal support battens are fastened on vertical counter battens. The horizontal battens should be chamfered at the top side, shedding water into the cavity.

The lowest batten should slant inward at the bottom, creating a drip lip at the intersection with the counter battens.



If only horizontal support battens are used, additional measures need to be taken to ensure sufficient ventilation (500 mm² per m horizontal length), e.g. by making cut-outs in the battens or interrupting the battens at regular intervals, staggered relative to each other. In this case it is preferable if the horizontal battens are chamfered on the top edge to shed any water outwards. Water penetration at the end grain of vertical battens should be avoided by applying a suitable sealer.

Accoya is suitable for standard cladding types, and in general the installer should follow the same recommendations for fitting as with traditional wood cladding, requiring no special detailing or tools, and performs best when installed properly on a suitable frame.

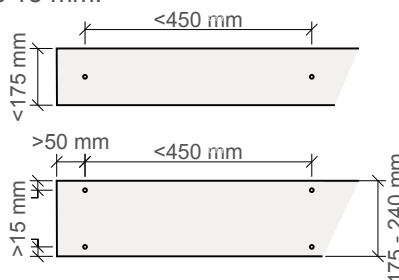
Accoya wood can be cut, profiled and routed to specified designs without encountering restrictions or issues associated with the instability of traditional wood cladding while maintaining its durability.

FASTENERS

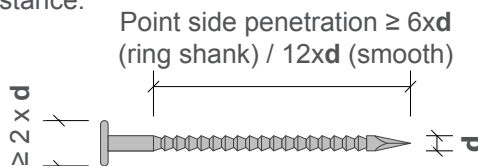
Accoya can be face fixed onto the timber sub-frame with ring shank (or other improved) nails or screws (raised or round head). As Accoya is slightly acidic, like most durable woods, it is recommended to use stainless steel grade 304 (general applications) or grade 316 (for coastal or industrial sites).

Stapling is not recommended, nor to drive the nail or screw heads into the wood. T-nails should not be used for external cladding as they offer little resistance to axial withdrawal. Lost head nails should also be avoided as they offer little resistance to pull-through.

To ensure a durable and lasting fixing, the boards should be fixed with at least 50 mm clearance to the end of the board (pre-drill holes to 1 mm less than the screw shank diameter or 80% of the nail diameter). The minimum distance to the top and bottom edge of the boards is 15 mm.



The recommended point side penetration of nails into the sub-frame is at least 6xd for ring shank or 12xd for smooth nails. If the nail head is larger than twice the shank diameter it is assumed pull-through will not occur as the pull-through resistance exceeds the withdrawal resistance.



Accoya Cladding V11.15/03 – these guidelines have been written for professionals wishing to use Accoya to create beautiful, reliable and highly durable end products. Should you require further information, please contact Accsys through www.accoya.com.

The drawing shows the rough principles but are not meant to contain actual products. The system used must be designed to the specific project requirements, in accordance with all applicable building standards and regulations. The strength of the total system - spacing, number and type of fasteners required for the occurring wind load - must always be checked by a licensed engineer. To the best of the knowledge and belief of Accsys Technologies PLC the information contained in this document is in accordance with common building practice and is provided on the basis that Accsys Technologies and/or any of its affiliates, officers, employees or advisers are not liable for any loss or damage whatsoever in respect of the accuracy or completeness of such information or the result of having acted upon it.



ACCOYA® and the Trimarque Device are registered trademarks owned by Titan Wood Limited, Trading as "Accsys Technologies", a wholly owned subsidiary of Accsys Technologies PLC. The trademarks ACCOYA® and the Trimarque Device may not be used or reproduced without written permission from Accsys Technologies. ACCOYA® wood should always be installed and used in accordance with the written instructions and guidelines of Accsys Technologies and/or its agents (available upon request). Accsys Technologies accepts no liability for any defect, damage or loss that may occur where such written instructions and guidelines are not adhered to. No liability is accepted in relation to any coating, fastener or other product of a third party applied to ACCOYA® wood. Please refer to [\[accoya.com/downloads\]](http://accoya.com/downloads) for further information and full terms and conditions.



Innovation in wood

HANDLING & MACHINING

Storage & handling

In order to prevent damage products made of Accoya should be carefully transported. Protection of joints is especially important. To prevent water uptake during transport, storage and at the building site, it is strongly recommended that Accoya is covered in a breathable barrier / "vapour-open" plastic.

As with other wood species, storage at the building site should be a minimum of 10 cm above concrete flooring and 30 cm above (unpaved) ground. Additional protection from rain with plastic sheets is strongly recommended but sufficient ventilation underneath the sheets is required to prevent surface moulds.

Transport

In order to prevent damage, especially if coating is to be done on-site, products made of Accoya should be carefully transported. Protection of joints is especially important.

The recipient at the delivery address must ensure that Accoya wood packages are unloaded carefully, preferably using a forklift truck or another device with pallet jacks.

Cutting & machining

General

Conventional wood working equipment and tools can be used - Accoya can be compared generally with harder softwood species, but make sure that knives are aligned and sharp. Carbide-tipped tools or diamond tipped are recommended for high(er) volumes.

- Spindle rotation velocity of 12,000 – 6,000 rpm
- Feed speed 500 – 1,000 m per hour
- Use rubber out feed rollers

Sawing

Skilful sawing will give a smooth appearance with very few flaws. Standard techniques such as using back boards can be used when very fine results are desired. Note that checks can appear, especially after heavily planing or re-sawing.

Planing & profiling

Accoya shavings are fine and may be electrostatically loaded; in case of impression problems, increase the rpm or use anti-friction lubricants.

Discoloration

The acetylation process can result in discoloration generally up to 5 - 6 mm in depth. If removal of surface discoloration is required (when using translucent coatings) remove 1 mm from the back side and 6 mm (plus any over thickness) from the top side of the cladding board.

COATINGS

Coatings are applied to Accoya for largely aesthetic reasons. Guaranteed levels of decay resistance and dimensional stability apply to Accoya with or without coating. When left uncoated Accoya will weather naturally.

Best practices

- 1 Accoya cladding boards should be rounded with 3mm radius corners.
- 2 A fully factory applied coating is strongly recommended. When site finishing, at least a primer and mid coat should be applied in the factory and the top coat must be applied before the joinery gets wet on site.
- 3 Accoya wood must be dry, clean and free from dust when coated. This is critical when brush applying top coats on site.
- 4 Coating systems (both translucent as well as opaque) should contain an effective mouldicidal component to reduce the risk of growth on and beneath the coating and possible disfigurement.
- 5 Pigments added to a clear coating will camouflage mould / yeast disfigurement. However, it is advisable to test a sample area first with pigmented stains, because as with other wood types and being a natural material, the porosity of Accoya may vary.
- 6 Thicker layers reduce moisture absorption and film forming coatings provide the longest maintenance intervals.
- 7 Sealers must be used on end grain, with a product that is compatible with the paint system and approved by the coating manufacturer.
- 8 Dip and flow coat application of the first coating layer is particularly effective in forming an all-encompassing first coat.
- 9 Coating manufacturer's application methodologies and guidance should be followed with particular focus on avoiding cold coatings (should typically be above 15°C at application), correct film thickness and appropriate drying techniques / conditions.
- 10 Coatings should be thoroughly cured in a moisture and temperature controlled environment and in line with coating manufacturers guidelines. This often involves overnight drying between layers. Control is particularly important in colder months.
- 11 Coated cladding boards should be stored on site as per coating manufacturers guidelines, with particular attention to the final curing of the top layer and using suitable packaging materials.

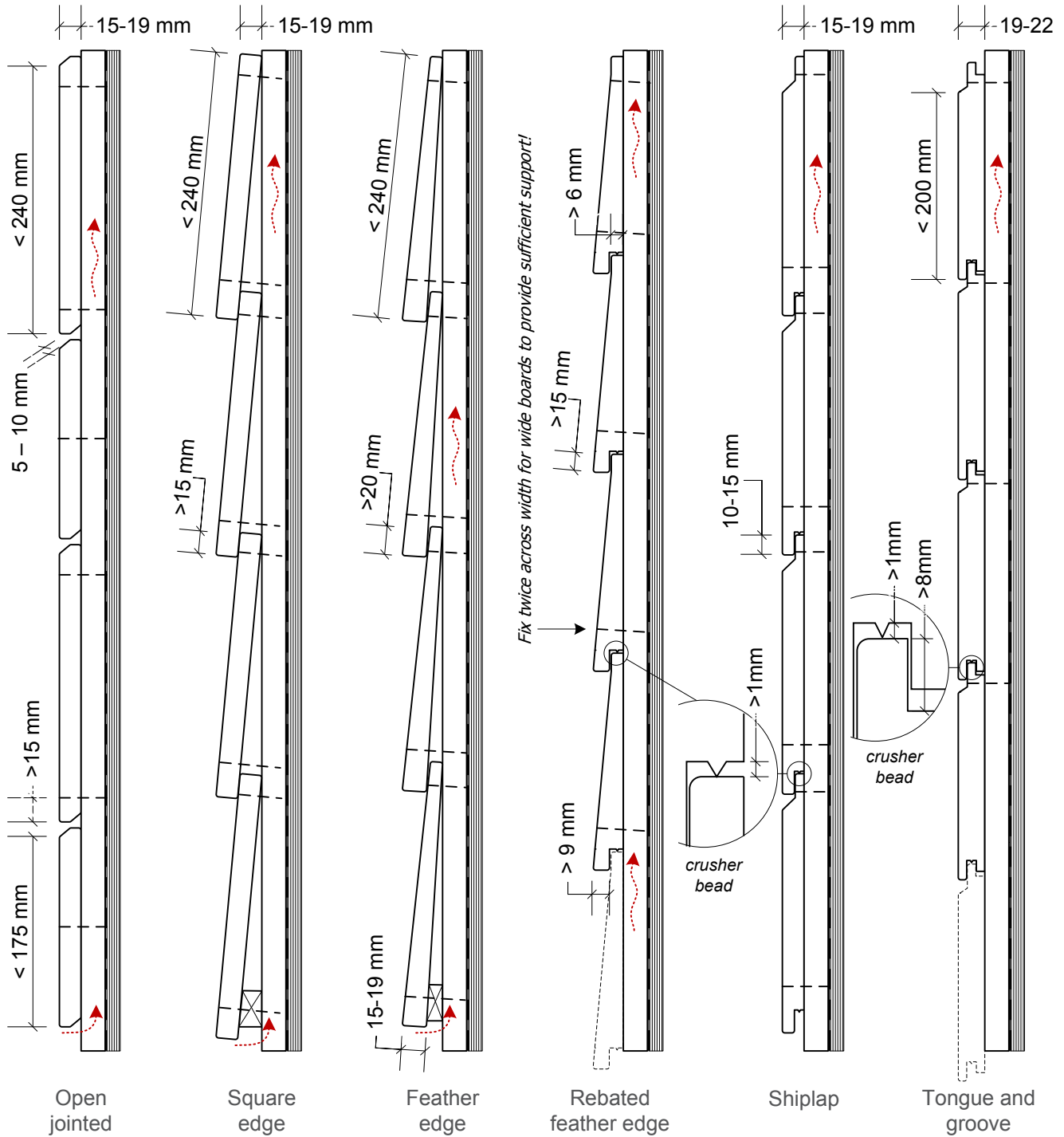
The drawing shows the rough principles but are not meant to contain actual products. The system used must be designed to the specific project requirements, in accordance with all applicable building standards and regulations. The strength of the total system - spacing, number and type of fasteners required for the occurring wind load - must always be checked by a licensed engineer. To the best of the knowledge and belief of Accsys Technologies PLC the information contained in this document is in accordance with common building practice and is provided on the basis that Accsys Technologies and/or any of its affiliates, officers, employees or advisers are not liable for any loss or damage whatsoever in respect of the accuracy or completeness of such information or the result of having acted upon it.



ACCOYA® and the Trimarque Device are registered trademarks owned by Titan Wood Limited, Trading as "Accsys Technologies", a wholly owned subsidiary of Accsys Technologies PLC. The trademarks ACCOYA® and the Trimarque Device may not be used or reproduced without written permission from Accsys Technologies. ACCOYA® wood should always be installed and used in accordance with the written instructions and guidelines of Accsys Technologies and/or its agents (available upon request). Accsys Technologies accepts no liability for any defect, damage or loss that may occur where such written instructions and guidelines are not adhered to. No liability is accepted in relation to any coating, fastener or other product of a third party applied to ACCOYA® wood. Please refer to [accoya.com/downloads] for further information and full terms and conditions.

ACCYS
TECHNOLOGIES

Title	Cladding		
Detail	Horizontal profiles - dimensions		
Section	vertical	Date	26.11.2015
Scale	1:5	Version	2.0 / HWI



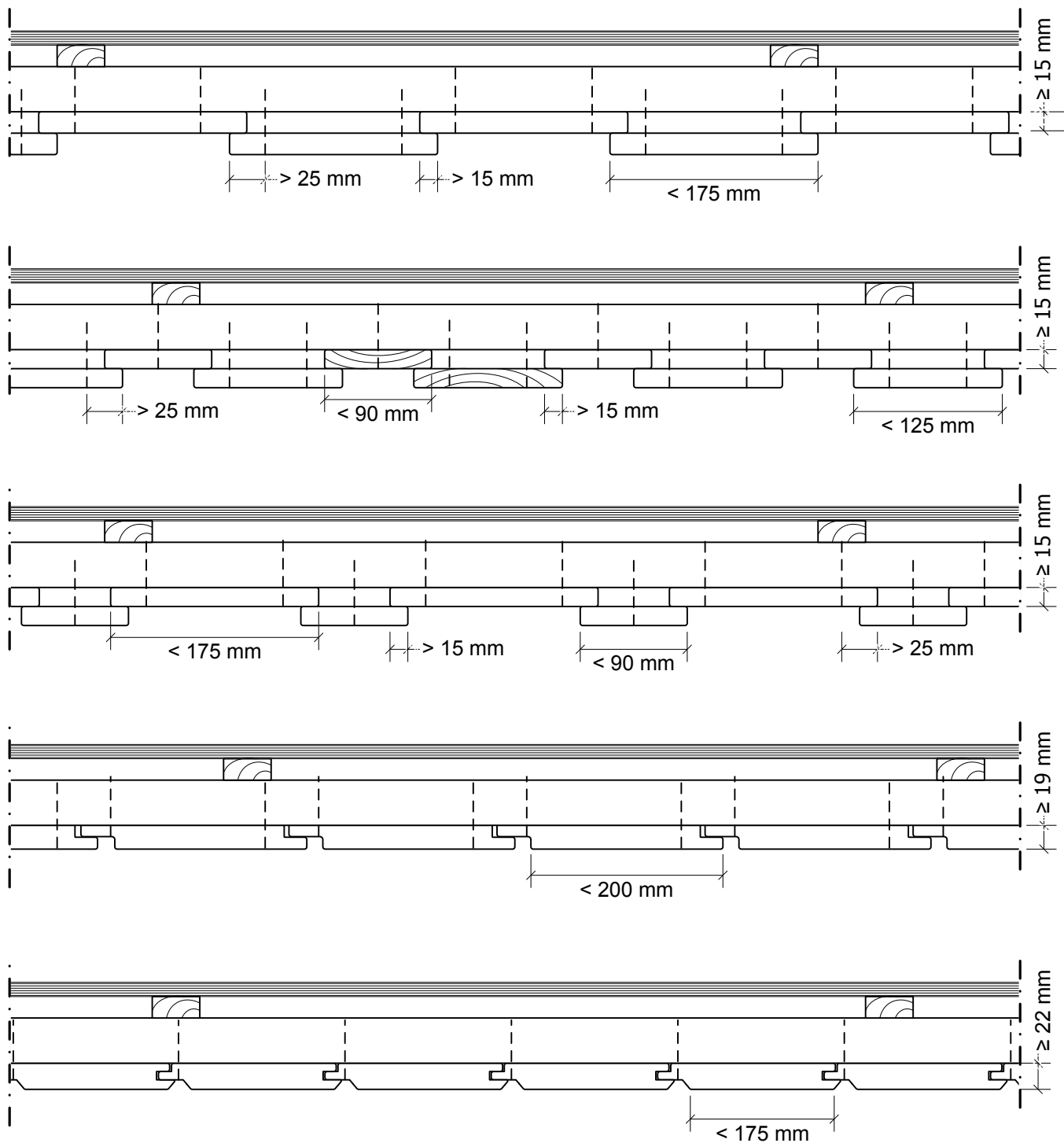
Board designs suitable for horizontal cladding are open jointed (with or without chamfering), (overlapping) square edge, (rebated) feather edge, shiplap and tongue and groove. Horizontal boards can be installed panellised or monolithic. When installed panellised, all end joints are in line, which simplifies fixing to battens. Please note that profiles that will be coated should have rounded corners (radius at least 3 mm).

The drawing shows the rough principles but are not meant to contain actual products. The system used must be designed to the specific project requirements, in accordance with all applicable building standards and regulations. The strength of the total system - spacing, number and type of fasteners required for the occurring wind load - must always be checked by a licensed engineer. To the best of the knowledge and belief of Accsys Technologies PLC the information contained in this document is in accordance with common building practice and is provided on the basis that Accsys Technologies and/or any of its affiliates, officers, employees or advisers are not liable for any loss or damage whatsoever in respect of the accuracy or completeness of such information or the result of having acted upon it.



ACCOYA® and the Trimarque Device are registered trademarks owned by Titan Wood Limited, Trading as "Accsys Technologies", a wholly owned subsidiary of Accsys Technologies PLC. The trademarks ACCOYA® and the Trimarque Device may not be used or reproduced without written permission from Accsys Technologies. ACCOYA® wood should always be installed and used in accordance with the written instructions and guidelines of Accsys Technologies and/or its agents (available upon request). Accsys Technologies accepts no liability for any defect, damage or loss that may occur where such written instructions and guidelines are not adhered to. No liability is accepted in relation to any coating, fastener or other product of a third party applied to ACCOYA® wood. Please refer to [accoya.com/downloads] for further information and full terms and conditions.

Title	Cladding		
Detail	Vertical profiles - dimensions		
Section	horizontal	Date	26.11.2015
Scale	1:5	Version	2.0 / HWI



Board designs suitable for vertical boarding are (overlapping) square edge, shiplap and tongue and groove. When installing the profiles vertically at least two fasteners per board are necessary and at least one of these fasteners, such as a nail, will be visible. It is recommended to limit the board lengths to the storey height, and end joints must relate to batten positions. Please note that profiles that will be coated should have rounded corners (radius at least 3 mm).

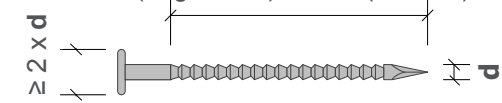
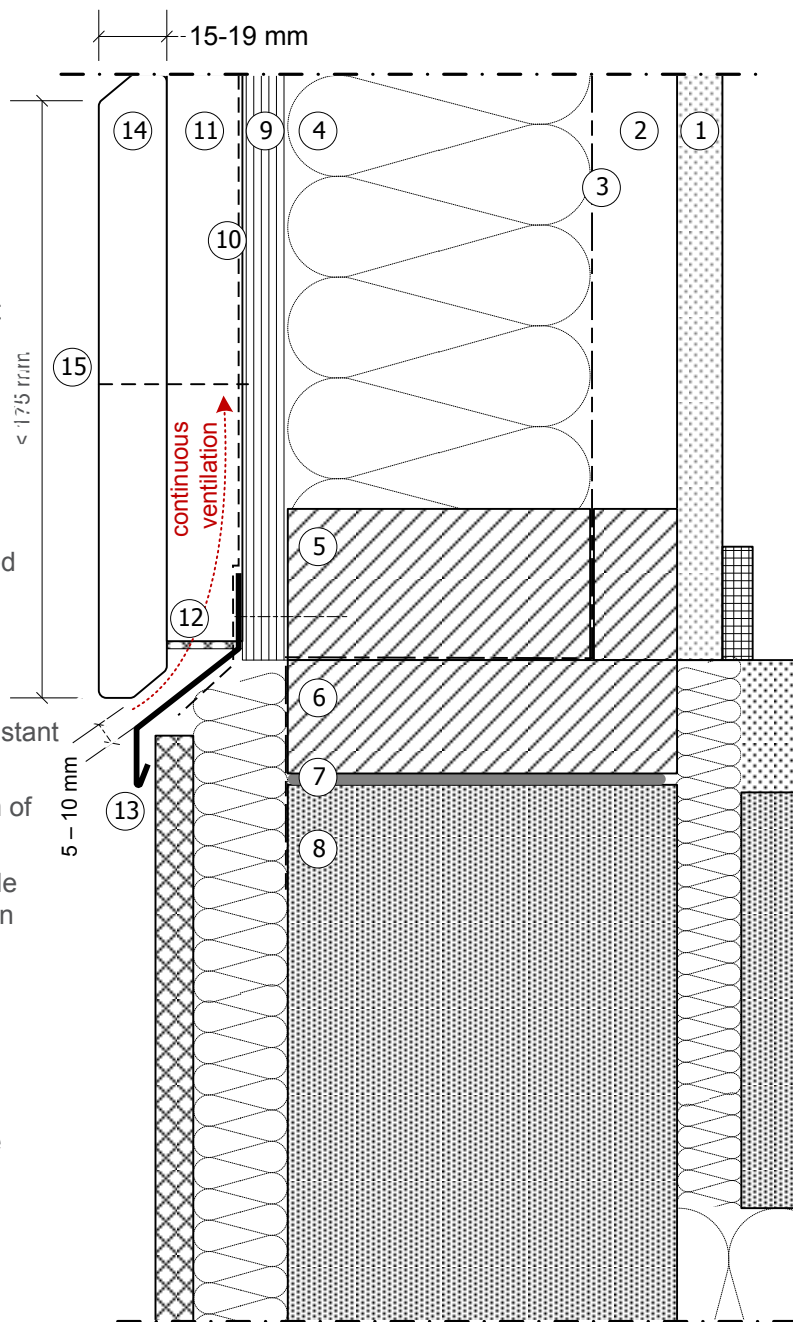
The drawing shows the rough principles but are not meant to contain actual products. The system used must be designed to the specific project requirements, in accordance with all applicable building standards and regulations. The strength of the total system - spacing, number and type of fasteners required for the occurring wind load - must always be checked by a licensed engineer. To the best of the knowledge and belief of Accsys Technologies PLC the information contained in this document is in accordance with common building practice and is provided on the basis that Accsys Technologies and/or any of its affiliates, officers, employees or advisers are not liable for any loss or damage whatsoever in respect of the accuracy or completeness of such information or the result of having acted upon it.



ACCOYA® and the Trimarque Device are registered trademarks owned by Titan Wood Limited, Trading as "Accsys Technologies", a wholly owned subsidiary of Accsys Technologies PLC. The trademarks ACCOYA® and the Trimarque Device may not be used or reproduced without written permission from Accsys Technologies. ACCOYA® wood should always be installed and used in accordance with the written instructions and guidelines of Accsys Technologies and/or its agents (available upon request). Accsys Technologies accepts no liability for any defect, damage or loss that may occur where such written instructions and guidelines are not adhered to. No liability is accepted in relation to any coating, fastener or other product of a third party applied to ACCOYA® wood. Please refer to [accoya.com/downloads] for further information and full terms and conditions.



- 1 Room lining (such as plaster board).
- 2 Service void (optional, may also be filled with insulation material).
- 3 Air barrier / vapour control layer.
- 4 Wall structure (wooden structural frame filled with a suitable insulation material of sufficient thickness to achieve required values).
- 5 Wooden structural frame.
- 6 Soleplate.
- 7 DPC.
- 8 Wall and floor structure, details to be designed in line with strength and insulation requirements.
- 9 Structural sheathing board.
- 10 Water repellent breather membrane - UV resistant in case of open joints.
- 11 Vertical timber battens of at least 38 x 19 mm of durability class 1 or 2.
- 12 Vermin mesh of corrosion resistant metal, hole width ≤ 4 mm. Void area in line with ventilation requirements.
- 13 Preformed corrosion resistant metal flashing.
- 14 Accoya®; board thickness 15 - 19 mm.
- 15 Ring shank or other improved nails:
 - grade 304 (general applications) or grade 316 (coastal or industrial sites)
 - Holes pre-drilled:
 - 1 mm less than nail \varnothing
 - to 80% of screw shank \varnothing



Joints

Accoya® cladding boards need to be installed with a mutual distance of at least 1 mm. When meeting other construction elements and/or between the length of two boards, a free space of 5 - 10 mm should be allowed for.

It is recommended to position the cladding above the splash zone, between ground level and a height of 200 to 250 mm. This will avoid rain water splashing onto the boards, which can cause staining and reduce the service life of coatings. Applying a gravel section below the cladding is recommended.

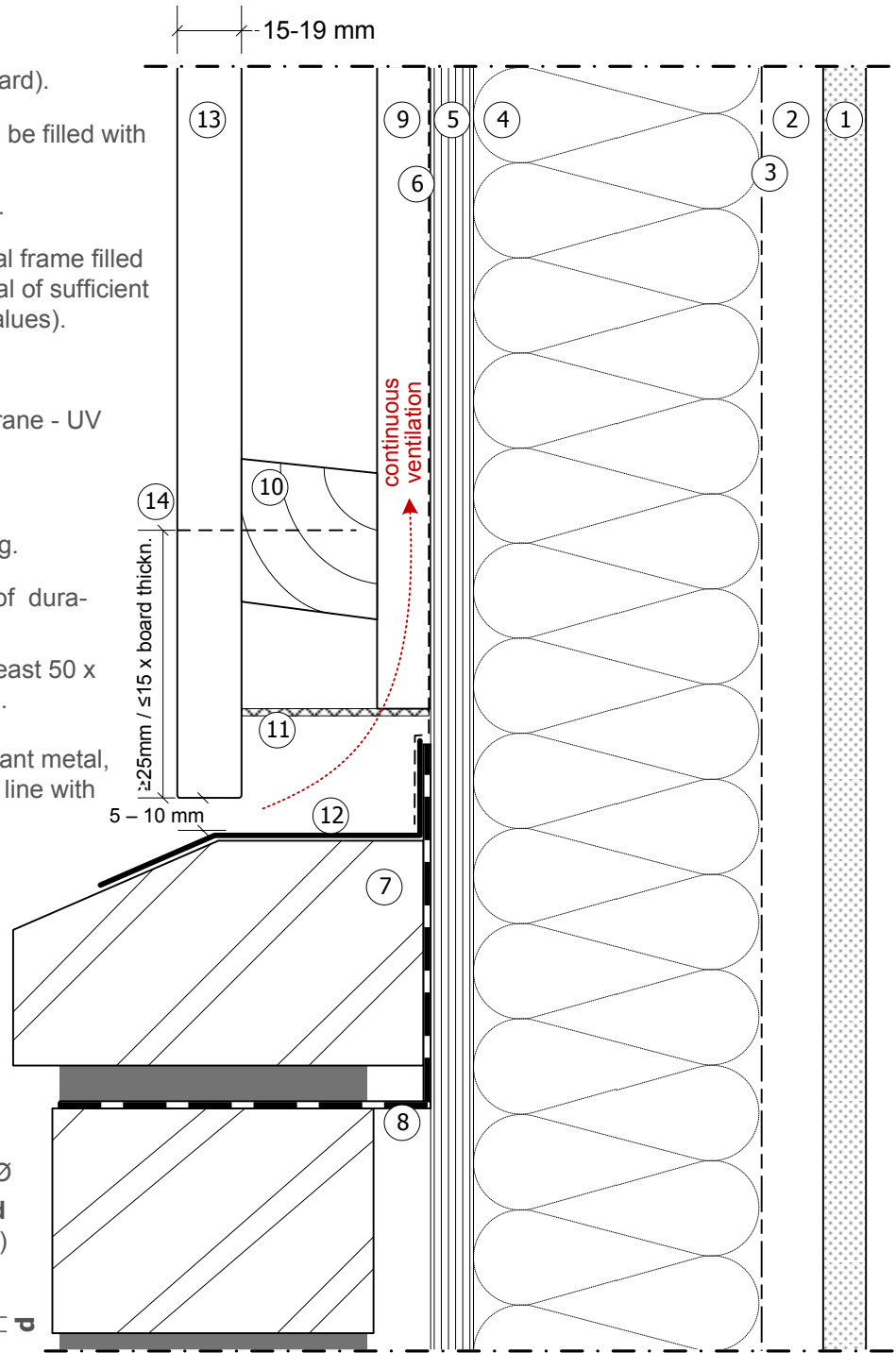
When open jointed, a vermin mesh might be required at certain joint widths. Please check local building codes to verify requirements.

The drawing shows the rough principles but are not meant to contain actual products. The system used must be designed to the specific project requirements, in accordance with all applicable building standards and regulations. The strength of the total system - spacing, number and type of fasteners required for the occurring wind load - must always be checked by a licensed engineer. To the best of the knowledge and belief of Accsys Technologies PLC the information contained in this document is in accordance with common building practice and is provided on the basis that Accsys Technologies and/or any of its affiliates, officers, employees or advisers are not liable for any loss or damage whatsoever in respect of the accuracy or completeness of such information or the result of having acted upon it.

Title	Vertical cladding		
Detail	Brick cladding		
Section	vertical junction	Date	26.08.2015
Scale		1:2	Version

- 1 Room lining (such as plaster board).
- 2 Service void (optional, may also be filled with insulation material).
- 3 Air barrier / vapour control layer.
- 4 Wall structure (wooden structural frame filled with a suitable insulation material of sufficient thickness to achieve required values).
- 5 Structural sheathing board.
- 6 Water repellent breather membrane - UV resistant in case of open joints.
- 7 Brick base or cladding.
- 8 500 micron polyethylene flashing.
- 9 Vertical timber counter battens of durability class 1 or 2.
- 10 Horizontal timber battens of at least 50 x 25 mm, of durability class 1 or 2.
- 11 Vermin mesh of corrosion resistant metal, hole width ≤ 4 mm. Void area in line with ventilation requirements.
- 12 20kg/m² lead flashing.
- 13 Accoya[®], board thickness 15 - 19 mm.
- 14 Ring shank or improved nails:
 - grade 304 (general applications) or grade 316 (coastal or industrial sites)
 - Holes pre-drilled:
 - 1 mm less than nail \varnothing
 - to 80% of screw shank \varnothing

Point side penetration $\geq 6xd$ (ring shank) / 12xd (smooth)



Joints

Accoya[®] cladding boards need to be installed with a mutual distance of at least 1 mm. When meeting other construction elements and/or between the length of two boards, a free space of 5 - 10 mm should be allowed for.

When open jointed, a vermin mesh might be required at certain joint widths. Please check local building codes to verify requirements.

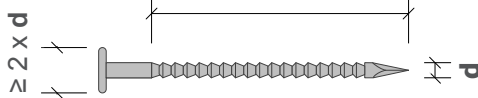
The drawing shows the rough principles but are not meant to contain actual products. The system used must be designed to the specific project requirements, in accordance with all applicable building standards and regulations. The strength of the total system - spacing, number and type of fasteners required for the occurring wind load - must always be checked by a licensed engineer. To the best of the knowledge and belief of Accsys Technologies PLC the information contained in this document is in accordance with common building practice and is provided on the basis that Accsys Technologies and/or any of its affiliates, officers, employees or advisers are not liable for any loss or damage whatsoever in respect of the accuracy or completeness of such information or the result of having acted upon it.



ACCOYA[®] and the Trimarque Device are registered trademarks owned by Titan Wood Limited, Trading as "Accsys Technologies", a wholly owned subsidiary of Accsys Technologies PLC. The trademarks ACCOYA[®] and the Trimarque Device may not be used or reproduced without written permission from Accsys Technologies. ACCOYA[®] wood should always be installed and used in accordance with the written instructions and guidelines of Accsys Technologies and/or its agents (available upon request). Accsys Technologies accepts no liability for any defect, damage or loss that may occur where such written instructions and guidelines are not adhered to. No liability is accepted in relation to any coating, fastener or other product of a third party applied to ACCOYA[®] wood. Please refer to [accoya.com/downloads] for further information and full terms and conditions.

Title	Horizontal cladding		
Detail	Horizontal joint		
Section	vertical	Date	26.08.2015
Scale	1:2	Version	2.0 / HWI

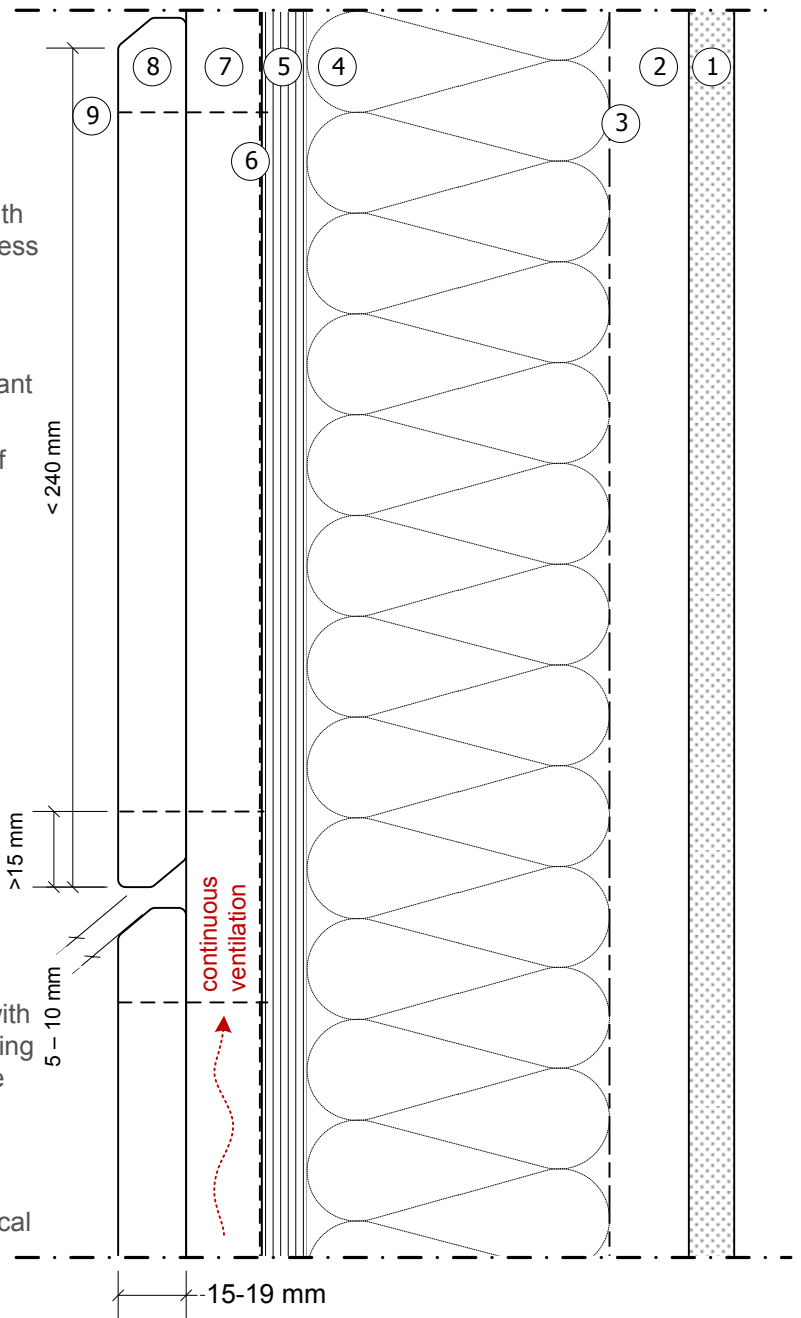
- 1 Room lining (such as plaster board).
- 2 Service void (optional, may also be filled with insulation material).
- 3 Air barrier / vapour control layer.
- 4 Wall structure (wooden structural frame filled with a suitable insulation material of sufficient thickness to achieve required values).
- 5 Structural sheathing board.
- 6 Water repellent breather membrane - UV resistant in case of open joints.
- 7 Vertical timber battens of at least 38 x 19 mm of durability class 1 or 2.
- 8 Accoya®; board thickness 15 - 19 mm.
- 9 Ring shank or other improved nails:
 - grade 304 (general applications) or grade 316 (coastal or industrial sites)
 - Holes pre-drilled:
 - 1 mm less than nail Ø
 - to 80% of screw shank Ø



Joints

Accoya® cladding boards need to be installed with a mutual distance of at least 1 mm. When meeting other construction elements and/or between the length of two boards, a free space of 5 - 10 mm should be allowed for.

When open jointed, a vermin mesh might be required at certain joint widths. Please check local building codes to verify requirements.

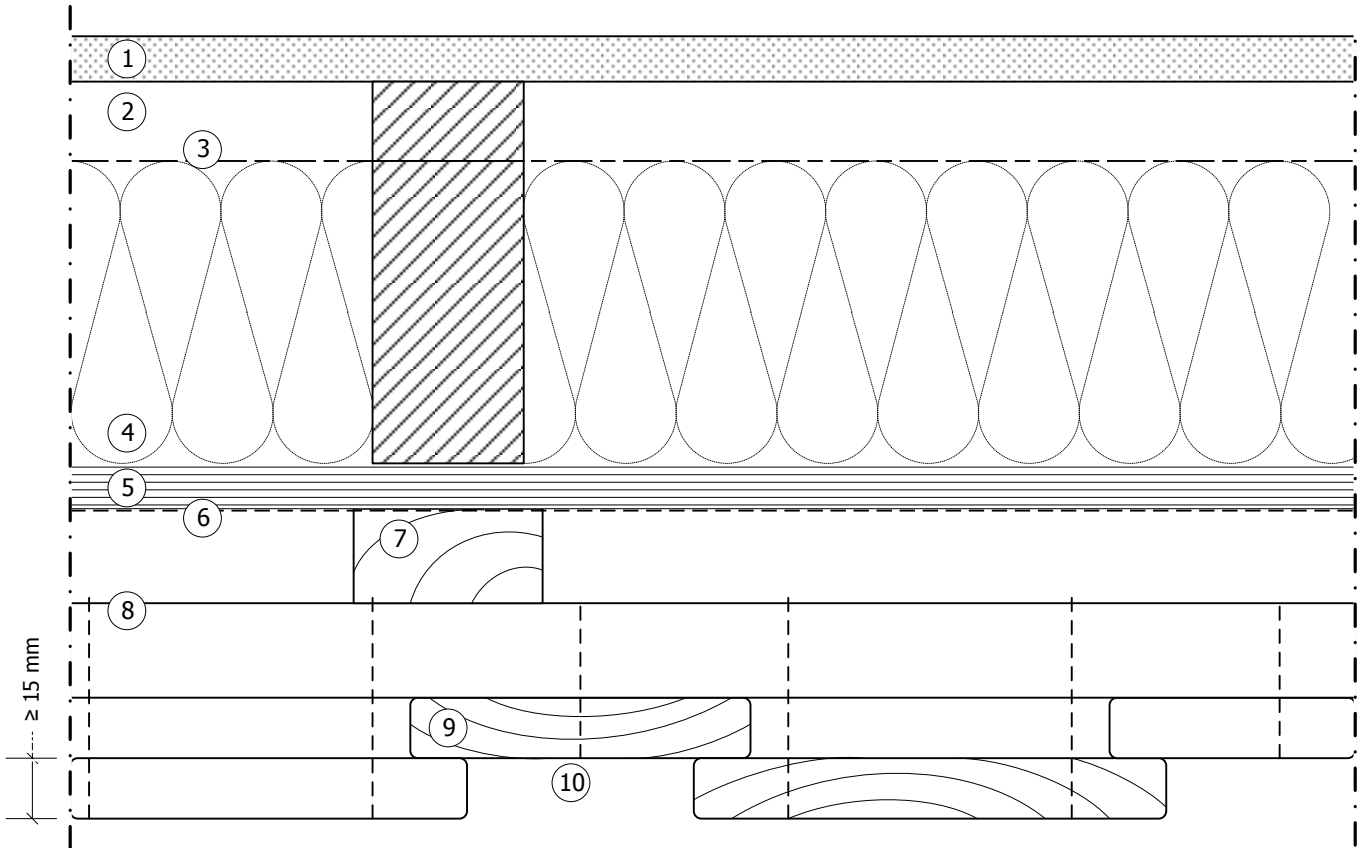


The drawing shows the rough principles but are not meant to contain actual products. The system used must be designed to the specific project requirements, in accordance with all applicable building standards and regulations. The strength of the total system - spacing, number and type of fasteners required for the occurring wind load - must always be checked by a licensed engineer. To the best of the knowledge and belief of Accsys Technologies PLC the information contained in this document is in accordance with common building practice and is provided on the basis that Accsys Technologies and/or any of its affiliates, officers, employees or advisers are not liable for any loss or damage whatsoever in respect of the accuracy or completeness of such information or the result of having acted upon it.



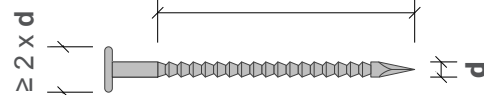
ACCOYA® and the Trimarque Device are registered trademarks owned by Titan Wood Limited, Trading as "Accsys Technologies", a wholly owned subsidiary of Accsys Technologies PLC. The trademarks ACCOYA® and the Trimarque Device may not be used or reproduced without written permission from Accsys Technologies. ACCOYA® wood should always be installed and used in accordance with the written instructions and guidelines of Accsys Technologies and/or its agents (available upon request). Accsys Technologies accepts no liability for any defect, damage or loss that may occur where such written instructions and guidelines are not adhered to. No liability is accepted in relation to any coating, fastener or other product of a third party applied to ACCOYA® wood. Please refer to [accoya.com/downloads] for further information and full terms and conditions.

Title	Vertical cladding		
Detail	Vertical joint		
Section	horizontal	Date	26.08.2015
Scale	1:2	Version	2.0 / HWI



- 1 Room lining (such as plaster board).
- 2 Service void (optional, may also be filled with insulation material).
- 3 Air barrier / vapour control layer.
- 4 Wall structure (wooden structural frame filled with a suitable insulation material of sufficient thickness to achieve required values).
- 5 Structural sheathing board.
- 6 Water repellent breather membrane - UV resistant in case of open joints.
- 7 Vertical timber counter battens of durability class 1 or 2.
- 8 Horizontal timber battens of at least 50 x 25 mm, of durability class 1 or 2.
- 9 Accoya®; minimum board thickness 15 mm.

- 10 Ring shank or other improved nails:
 - grade 304 (general applications) or grade 316 (coastal or industrial sites)
 - Holes pre-drilled:
 - 1 mm less than nail Ø
 - to 80% of screw shank Ø



Joints

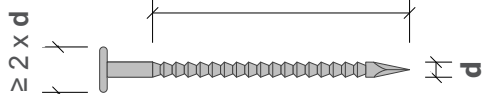
Accoya® cladding boards need to be installed with a mutual distance of at least 1 mm. When meeting other construction elements and/or between the length of two boards, a free space of 5 - 10 mm should be allowed for.

When open jointed, a vermin mesh might be required at certain joint widths. Please check local building codes to verify requirements.

The drawing shows the rough principles but are not meant to contain actual products. The system used must be designed to the specific project requirements, in accordance with all applicable building standards and regulations. The strength of the total system - spacing, number and type of fasteners required for the occurring wind load - must always be checked by a licensed engineer. To the best of the knowledge and belief of Accsys Technologies PLC the information contained in this document is in accordance with common building practice and is provided on the basis that Accsys Technologies and/or any of its affiliates, officers, employees or advisers are not liable for any loss or damage whatsoever in respect of the accuracy or completeness of such information or the result of having acted upon it.

- 1 Room lining (such as plaster board).
- 2 Service void (optional, may also be filled with insulation material).
- 3 Air barrier / vapour control layer.
- 4 Wall structure (wooden structural frame filled with a suitable insulation material of sufficient thickness to achieve required values).
- 5 Structural sheathing board.
- 6 Water repellent breather membrane - UV resistant in case of open joints.
- 7 Framing.
- 8 Vertical timber battens of at least 38 x 19 mm of durability class 1 or 2.
- 9 Vermin mesh of corrosion resistant metal, hole width ≤ 4 mm. Void area in line with ventilation requirements.
- 10 Accoya[®]; board thickness 15 - 19 mm.
- 11 Ring shank or other improved nails:
 - grade 304 (general applications) or grade 316 (coastal or industrial sites)
 - Holes pre-drilled:
 - 1 mm less than nail \varnothing
 - to 80% of screw shank \varnothing

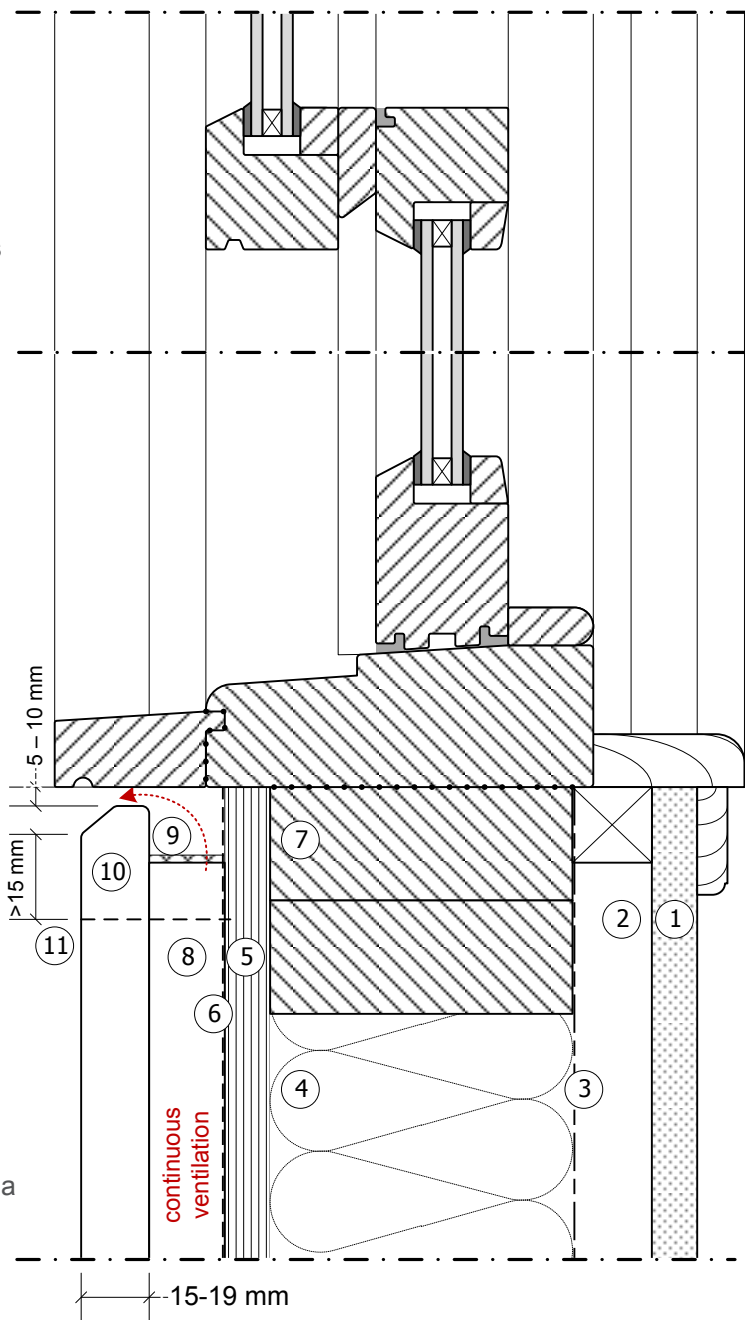
Point side penetration $\geq 6xd$ (ring shank) / $12xd$ (smooth)



Joints

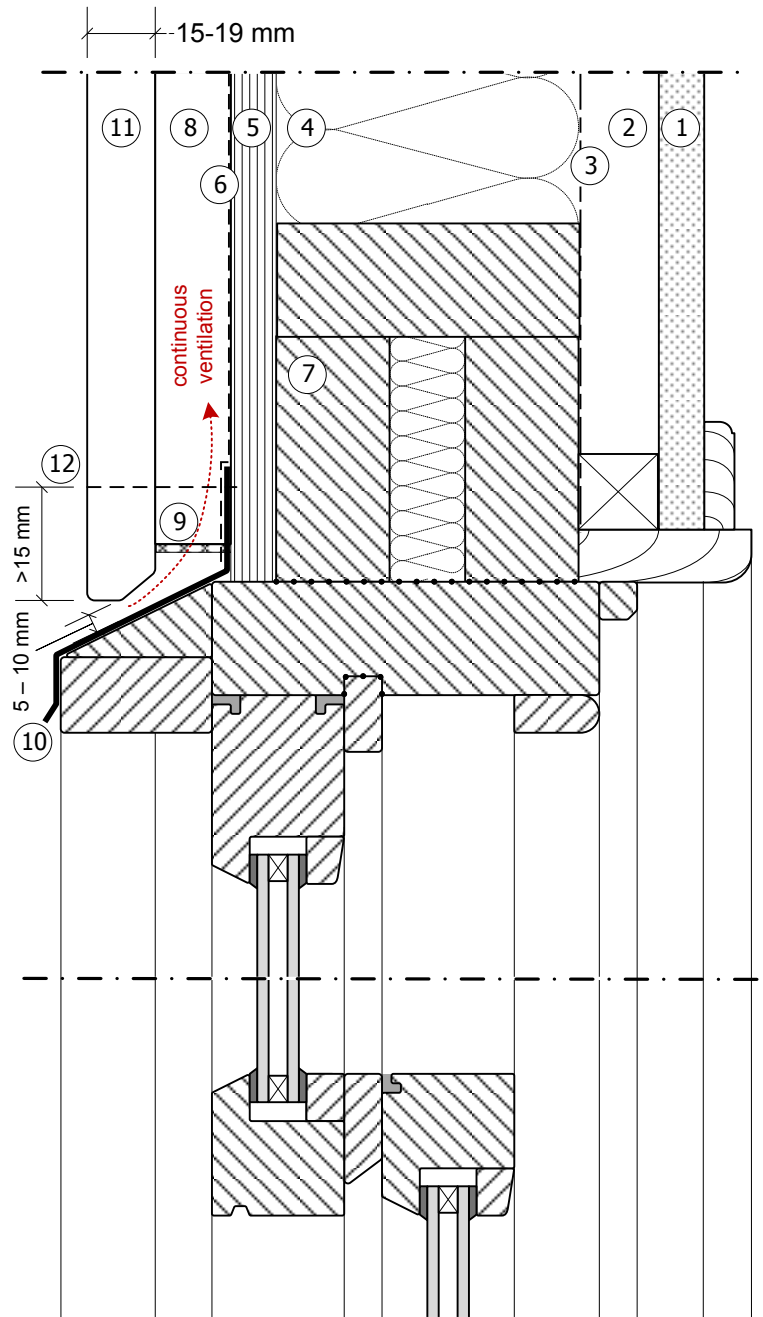
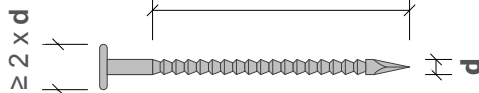
Accoya[®] cladding boards need to be installed with a mutual distance of at least 1 mm. When meeting other construction elements and/or between the length of two boards, a free space of 5 - 10 mm should be allowed for.

When open jointed, a vermin mesh might be required at certain joint widths. Please check local building codes to verify requirements.



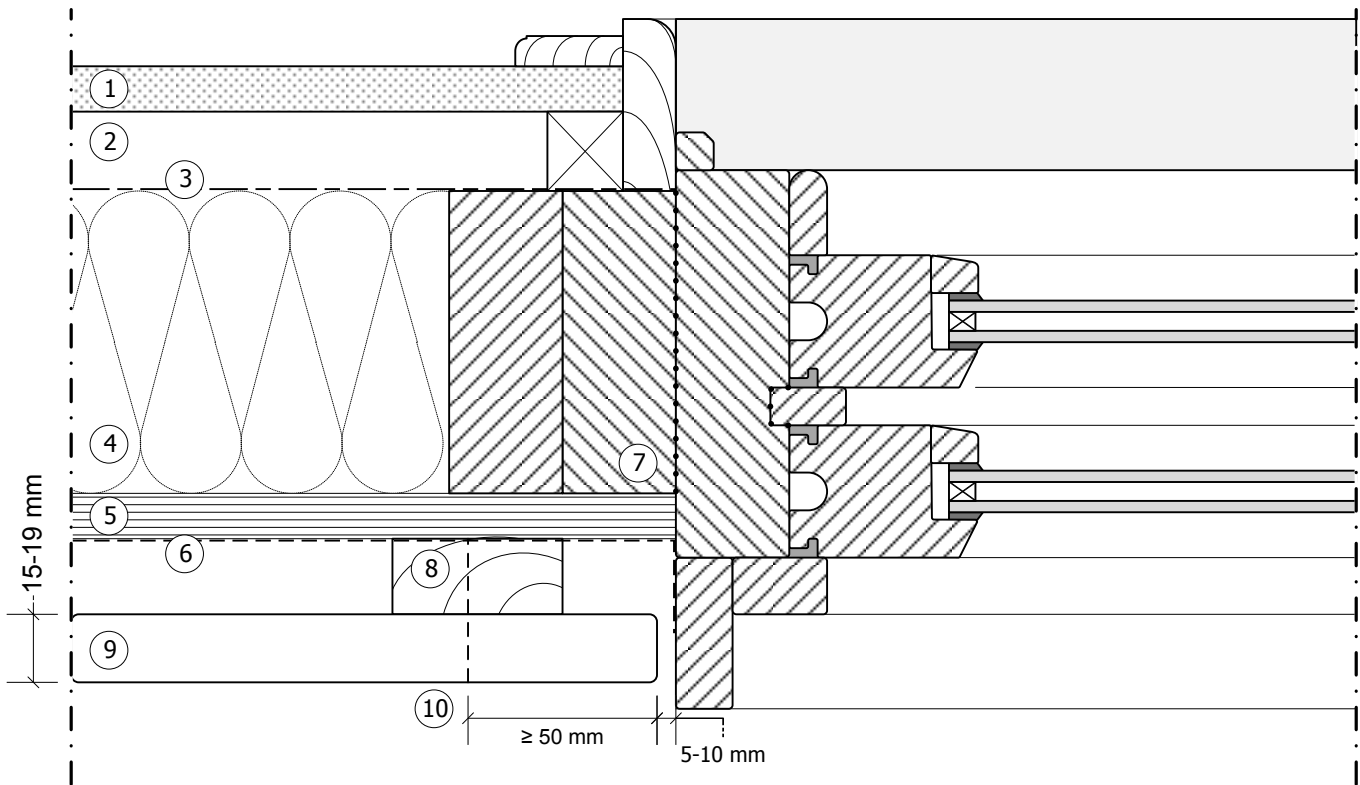
The drawing shows the rough principles but are not meant to contain actual products. The system used must be designed to the specific project requirements, in accordance with all applicable building standards and regulations. The strength of the total system - spacing, number and type of fasteners required for the occurring wind load - must always be checked by a licensed engineer. To the best of the knowledge and belief of Accsys Technologies PLC the information contained in this document is in accordance with common building practice and is provided on the basis that Accsys Technologies and/or any of its affiliates, officers, employees or advisers are not liable for any loss or damage whatsoever in respect of the accuracy or completeness of such information or the result of having acted upon it.

- 1 Room lining (such as plaster board).
- 2 Service void (optional, may also be filled with insulation material).
- 3 Air barrier / vapour control layer.
- 4 Wall structure (wooden structural frame filled with a suitable insulation material of sufficient thickness to achieve required values).
- 5 Structural sheathing board.
- 6 Water repellent breather membrane - UV resistant in case of open joints.
- 7 Framing.
- 8 Vertical timber battens of at least 38 x 19 mm of durability class 1 or 2.
- 9 Vermin mesh of corrosion resistant metal, hole width ≤ 4 mm. Void area in line with ventilation requirements.
- 10 Preformed corrosion resistant metal flashing.
- 11 Accoya®; board thickness 15 - 19 mm.
- 12 Ring shank or other improved nails:
 - grade 304 (general applications) or grade 316 (coastal or industrial sites)
 - Holes pre-drilled:
 - 1 mm less than nail \varnothing
 - to 80% of screw shank \varnothing



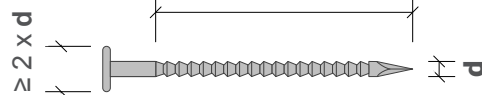
The drawing shows the rough principles but are not meant to contain actual products. The system used must be designed to the specific project requirements, in accordance with all applicable building standards and regulations. The strength of the total system - spacing, number and type of fasteners required for the occurring wind load - must always be checked by a licensed engineer. To the best of the knowledge and belief of Accsys Technologies PLC the information contained in this document is in accordance with common building practice and is provided on the basis that Accsys Technologies and/or any of its affiliates, officers, employees or advisers are not liable for any loss or damage whatsoever in respect of the accuracy or completeness of such information or the result of having acted upon it.

Title	Horizontal cladding		
Detail	Sash window jamb		
Section	horizontal	Date	26.08.2015
Scale	1:2	Version	2.0 / HWI



- 1 Room lining (such as plaster board).
- 2 Service void (optional, may also be filled with insulation material).
- 3 Air barrier / vapour control layer.
- 4 Wall structure (wooden structural frame filled with a suitable insulation material of sufficient thickness to achieve required values).
- 5 Structural sheathing board.
- 6 Water repellent breather membrane - UV resistant in case of open joints.
- 7 Framing.
- 8 Vertical timber battens of at least 38 x 19 mm of durability class 1 or 2.
- 9 Accoya®; minimum board thickness 15 mm.

- 10 Ring shank or other improved nails:
 - grade 304 (general applications) or grade 316 (coastal or industrial sites)
 - Holes pre-drilled:
 - 1 mm less than nail Ø
 - to 80% of screw shank Ø



Joints

Accoya® cladding boards need to be installed with a mutual distance of at least 1 mm. When meeting other construction elements and/or between the length of two boards, a free space of 5 - 10 mm should be allowed for.

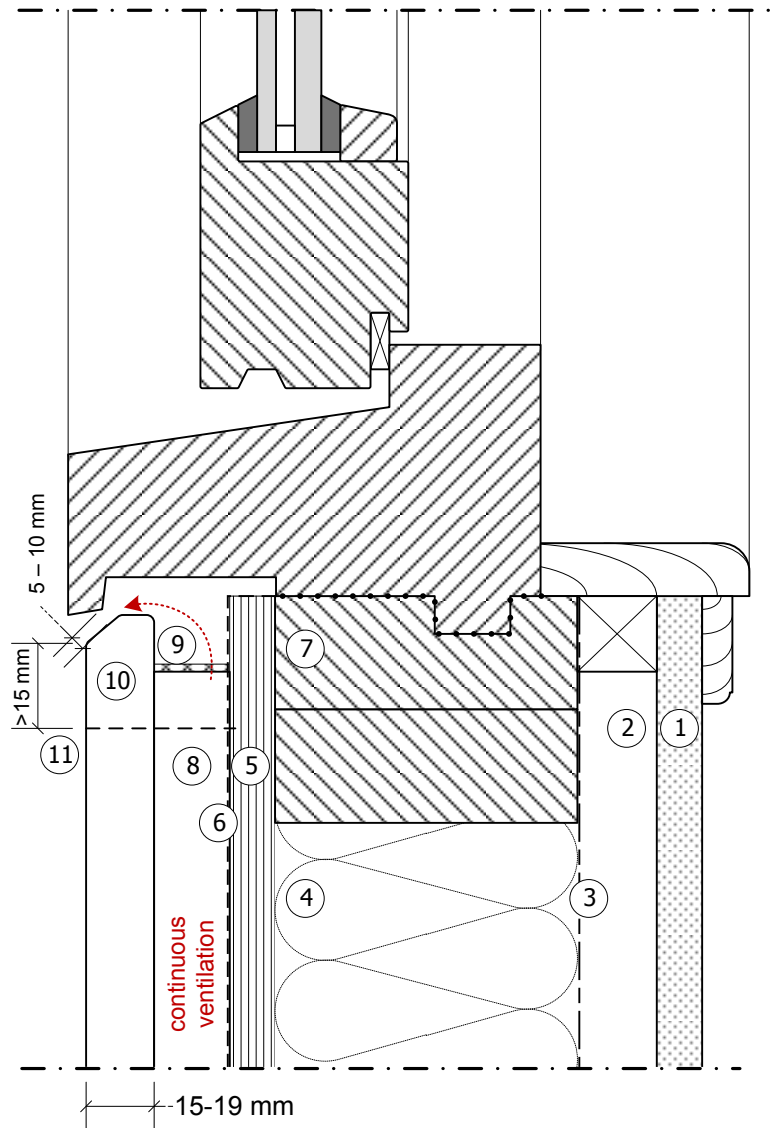
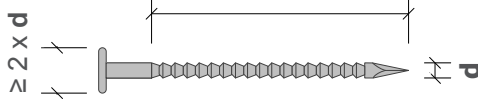
When open jointed, a vermin mesh might be required at certain joint widths. Please check local building codes to verify requirements.

The drawing shows the rough principles but are not meant to contain actual products. The system used must be designed to the specific project requirements, in accordance with all applicable building standards and regulations. The strength of the total system - spacing, number and type of fasteners required for the occurring wind load - must always be checked by a licensed engineer. To the best of the knowledge and belief of Accsys Technologies PLC the information contained in this document is in accordance with common building practice and is provided on the basis that Accsys Technologies and/or any of its affiliates, officers, employees or advisers are not liable for any loss or damage whatsoever in respect of the accuracy or completeness of such information or the result of having acted upon it.



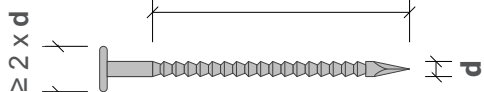
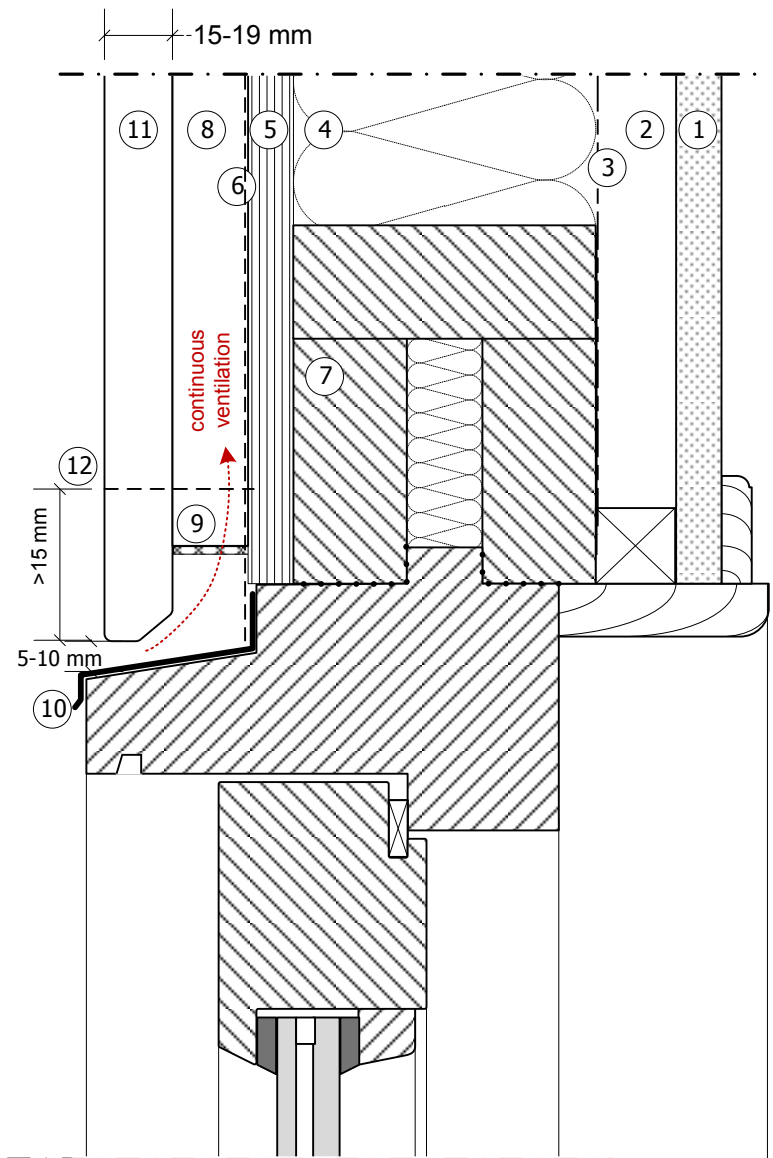
ACCOYA® and the Trimarque Device are registered trademarks owned by Titan Wood Limited, Trading as "Accsys Technologies", a wholly owned subsidiary of Accsys Technologies PLC. The trademarks ACCOYA® and the Trimarque Device may not be used or reproduced without written permission from Accsys Technologies. ACCOYA® wood should always be installed and used in accordance with the written instructions and guidelines of Accsys Technologies and/or its agents (available upon request). Accsys Technologies accepts no liability for any defect, damage or loss that may occur where such written instructions and guidelines are not adhered to. No liability is accepted in relation to any coating, fastener or other product of a third party applied to ACCOYA® wood. Please refer to [accoya.com/downloads] for further information and full terms and conditions.

- 1 Room lining (such as plaster board).
- 2 Service void (optional, may also be filled with insulation material).
- 3 Air barrier / vapour control layer.
- 4 Wall structure (wooden structural frame filled with a suitable insulation material of sufficient thickness to achieve required values).
- 5 Structural sheathing board.
- 6 Water repellent breather membrane - UV resistant in case of open joints.
- 7 Framing.
- 8 Vertical timber battens of at least 38 x 19 mm of durability class 1 or 2.
- 9 Vermin mesh of corrosion resistant metal, hole width ≤ 4 mm. Void area in line with ventilation requirements.
- 10 Accoya[®]; board thickness 15 - 19 mm.
- 11 Ring shank or other improved nails:
 - grade 304 (general applications) or grade 316 (coastal or industrial sites)
 - Holes pre-drilled:
 - 1 mm less than nail \varnothing
 - to 80% of screw shank \varnothing



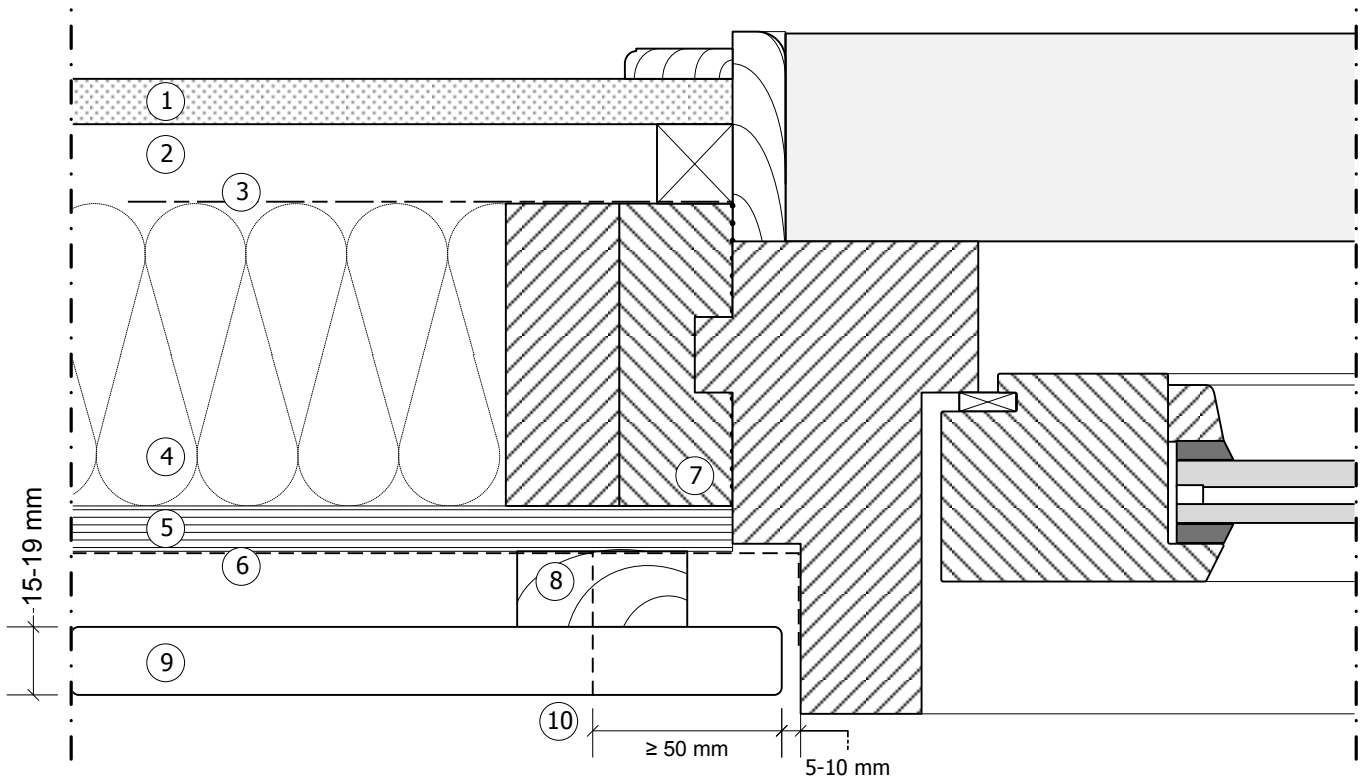
The drawing shows the rough principles but are not meant to contain actual products. The system used must be designed to the specific project requirements, in accordance with all applicable building standards and regulations. The strength of the total system - spacing, number and type of fasteners required for the occurring wind load - must always be checked by a licensed engineer. To the best of the knowledge and belief of Accsys Technologies PLC the information contained in this document is in accordance with common building practice and is provided on the basis that Accsys Technologies and/or any of its affiliates, officers, employees or advisers are not liable for any loss or damage whatsoever in respect of the accuracy or completeness of such information or the result of having acted upon it.

- 1 Room lining (such as plaster board).
- 2 Service void (optional, may also be filled with insulation material).
- 3 Air barrier / vapour control layer.
- 4 Wall structure (wooden structural frame filled with a suitable insulation material of sufficient thickness to achieve required values).
- 5 Structural sheathing board.
- 6 Water repellent breather membrane - UV resistant in case of open joints.
- 7 Framing.
- 8 Vertical timber battens of at least 38 x 19 mm of durability class 1 or 2.
- 9 Vermin mesh of corrosion resistant metal, max hole width 4 mm. Void area in line with ventilation requirements.
- 10 Preformed corrosion resistant metal flashing.
- 11 Accoya®; board thickness 15 - 19 mm.
- 12 Ring shank or other improved nails:
 - grade 304 (general applications) or grade 316 (coastal or industrial sites)
 - Holes pre-drilled:
 - 1 mm less than nail Ø
 - to 80% of screw shank Ø



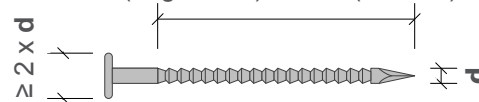
The drawing shows the rough principles but are not meant to contain actual products. The system used must be designed to the specific project requirements, in accordance with all applicable building standards and regulations. The strength of the total system - spacing, number and type of fasteners required for the occurring wind load - must always be checked by a licensed engineer. To the best of the knowledge and belief of Accsys Technologies PLC the information contained in this document is in accordance with common building practice and is provided on the basis that Accsys Technologies and/or any of its affiliates, officers, employees or advisers are not liable for any loss or damage whatsoever in respect of the accuracy or completeness of such information or the result of having acted upon it.

ACCOYA® and the Trimarque Device are registered trademarks owned by Titan Wood Limited, Trading as "Accsys Technologies", a wholly owned subsidiary of Accsys Technologies PLC. The trademarks ACCOYA® and the Trimarque Device may not be used or reproduced without written permission from Accsys Technologies. ACCOYA® wood should always be installed and used in accordance with the written instructions and guidelines of Accsys Technologies and/or its agents (available upon request). Accsys Technologies accepts no liability for any defect, damage or loss that may occur where such written instructions and guidelines are not adhered to. No liability is accepted in relation to any coating, fastener or other product of a third party applied to ACCOYA® wood. Please refer to [accoya.com/downloads] for further information and full terms and conditions.



- 1 Room lining (such as plaster board).
- 2 Service void (optional, may also be filled with insulation material).
- 3 Air barrier / vapour control layer.
- 4 Wall structure (wooden structural frame filled with a suitable insulation material of sufficient thickness to achieve required values).
- 5 Structural sheathing board.
- 6 Water repellent breather membrane - UV resistant in case of open joints.
- 7 Framing.
- 8 Vertical timber battens of at least 38 x 19 mm of durability class 1 or 2.
- 9 Accoya®; minimum board thickness 15 mm.

- 10 Ring shank or other improved nails:
 - grade 304 (general applications) or grade 316 (coastal or industrial sites)
 - Holes pre-drilled:
 - 1 mm less than nail Ø
 - to 80% of screw shank Ø



Joints

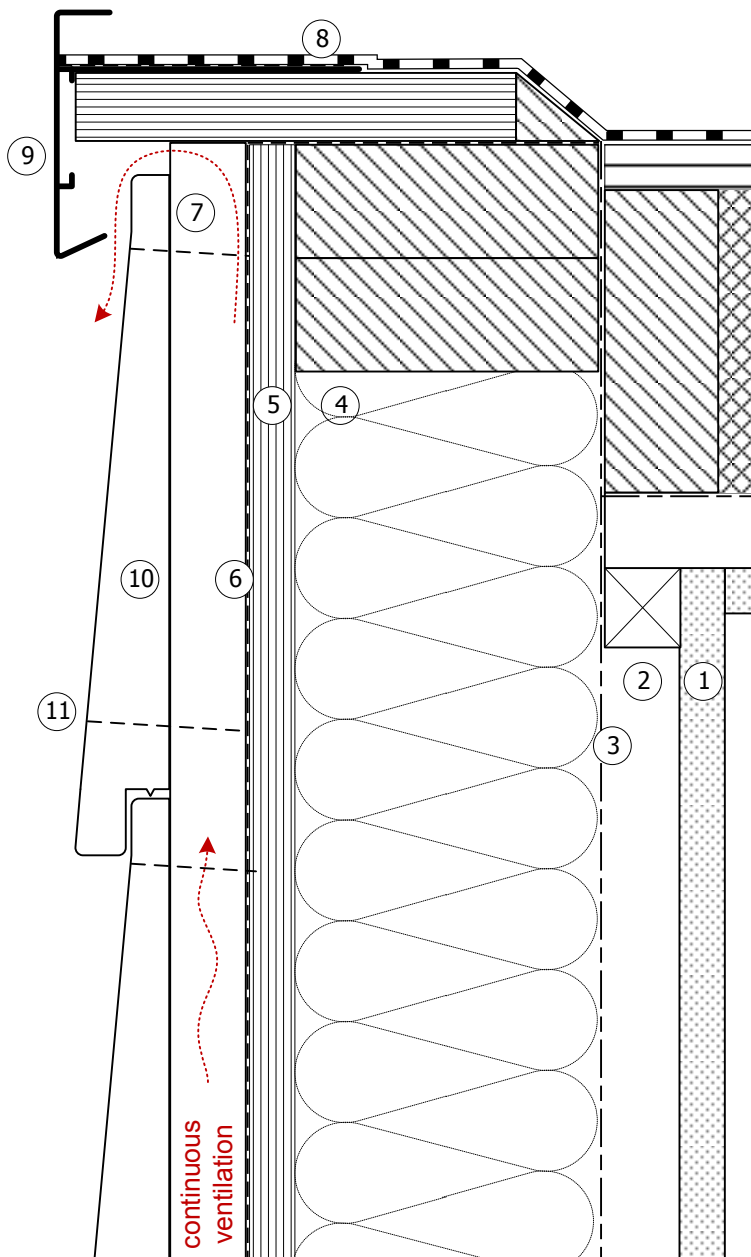
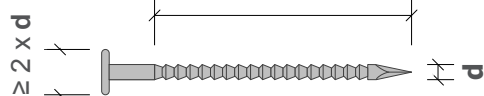
Accoya® cladding boards need to be installed with a mutual distance of at least 1 mm. When meeting other construction elements and/or between the length of two boards, a free space of 5 - 10 mm should be allowed for.

When open jointed, a vermin mesh might be required at certain joint widths. Please check local building codes to verify requirements.

The drawing shows the rough principles but are not meant to contain actual products. The system used must be designed to the specific project requirements, in accordance with all applicable building standards and regulations. The strength of the total system - spacing, number and type of fasteners required for the occurring wind load - must always be checked by a licensed engineer. To the best of the knowledge and belief of Accsys Technologies PLC the information contained in this document is in accordance with common building practice and is provided on the basis that Accsys Technologies and/or any of its affiliates, officers, employees or advisers are not liable for any loss or damage whatsoever in respect of the accuracy or completeness of such information or the result of having acted upon it.

- 1 Room lining (such as plaster board).
- 2 Service void (optional, may also be filled with insulation material).
- 3 Air barrier / vapour control layer.
- 4 Wall structure (wooden structural frame filled with a suitable insulation material of sufficient thickness to achieve required values).
- 5 Structural sheathing board.
- 6 Water repellent breather membrane - UV resistant in case of open joints.
- 7 Vertical timber battens of at least 38 x 19 mm of durability class 1 or 2.
- 8 Roofing material to specification.
- 9 Roof trim (corrosion resistant), details to project requirements; a minimum gap of 5 mm should be kept between the surface of the panel and the trim to ensure ventilation.
- 10 Accoya®; board thickness 15 - 19 mm.
- 11 Ring shank or other improved nails:
 - grade 304 (general applications) or grade 316 (coastal or industrial sites)
 - Holes pre-drilled:
 - 1 mm less than nail Ø
 - to 80% of screw shank Ø

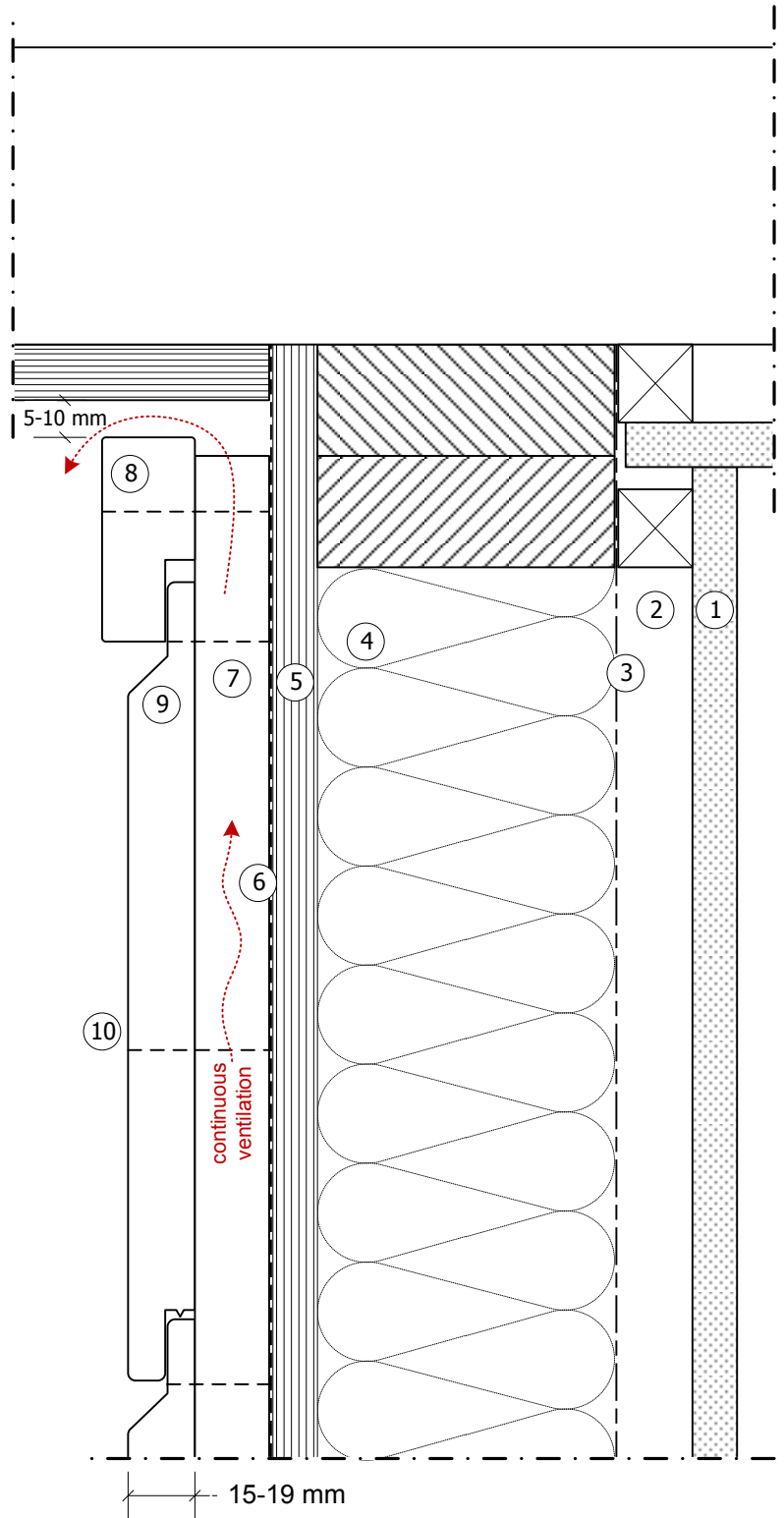
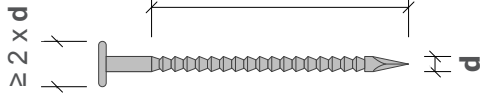
Point side penetration $\geq 6 \times d$ (ring shank) / $12 \times d$ (smooth)



The drawing shows the rough principles but are not meant to contain actual products. The system used must be designed to the specific project requirements, in accordance with all applicable building standards and regulations. The strength of the total system - spacing, number and type of fasteners required for the occurring wind load - must always be checked by a licensed engineer. To the best of the knowledge and belief of Accsys Technologies PLC the information contained in this document is in accordance with common building practice and is provided on the basis that Accsys Technologies and/or any of its affiliates, officers, employees or advisers are not liable for any loss or damage whatsoever in respect of the accuracy or completeness of such information or the result of having acted upon it.

Title	Horizontal cladding		
Detail	Overhang		
Section	vertical	Date	26.08.2015
Scale	1:2	Version	2.0 / HWI

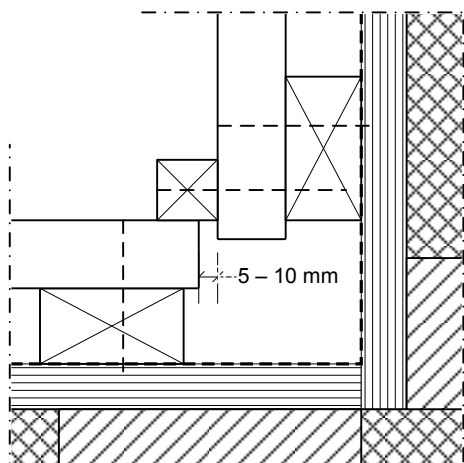
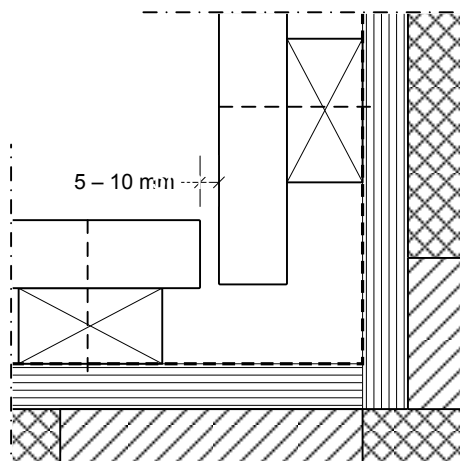
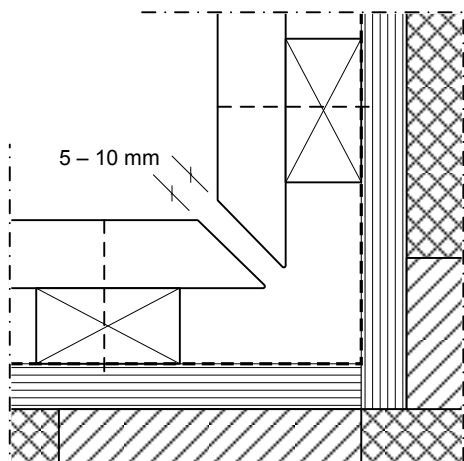
- 1 Room lining (such as plaster board).
- 2 Service void (optional, may also be filled with insulation material).
- 3 Air barrier / vapour control layer.
- 4 Wall structure (wooden structural frame filled with a suitable insulation material of sufficient thickness to achieve required values).
- 5 Structural sheathing board.
- 6 Water repellent breather membrane - UV resistant in case of open joints.
- 7 Vertical timber battens of at least 38 x 19 mm of durability class 1 or 2.
- 8 Accoya® frieze board
- 9 Accoya®; board thickness 15 - 19 mm.
- 10 Ring shank or other improved nails:
 - grade 304 (general applications) or grade 316 (coastal or industrial sites)
 - Holes pre-drilled:
 - 1 mm less than nail Ø
 - to 80% of screw shank Ø



The drawing shows the rough principles but are not meant to contain actual products. The system used must be designed to the specific project requirements, in accordance with all applicable building standards and regulations. The strength of the total system - spacing, number and type of fasteners required for the occurring wind load - must always be checked by a licensed engineer. To the best of the knowledge and belief of Accsys Technologies PLC the information contained in this document is in accordance with common building practice and is provided on the basis that Accsys Technologies and/or any of its affiliates, officers, employees or advisers are not liable for any loss or damage whatsoever in respect of the accuracy or completeness of such information or the result of having acted upon it.



ACCOYA® and the Trimarque Device are registered trademarks owned by Titan Wood Limited, Trading as "Accsys Technologies", a wholly owned subsidiary of Accsys Technologies PLC. The trademarks ACCOYA® and the Trimarque Device may not be used or reproduced without written permission from Accsys Technologies. ACCOYA® wood should always be installed and used in accordance with the written instructions and guidelines of Accsys Technologies and/or its agents (available upon request). Accsys Technologies accepts no liability for any defect, damage or loss that may occur where such written instructions and guidelines are not adhered to. No liability is accepted in relation to any coating, fastener or other product of a third party applied to ACCOYA® wood. Please refer to [accoya.com/downloads] for further information and full terms and conditions.



Joints

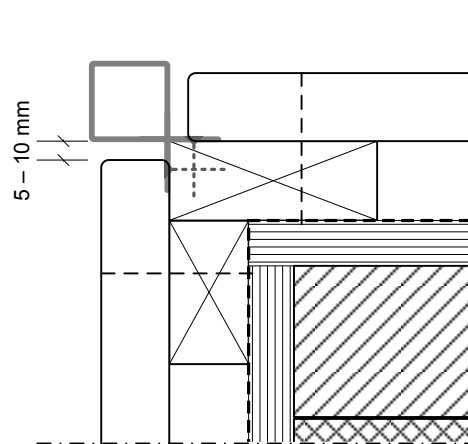
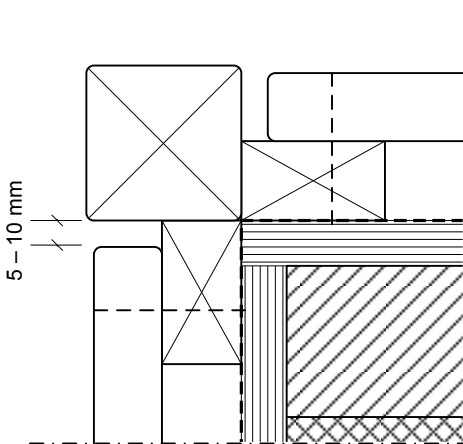
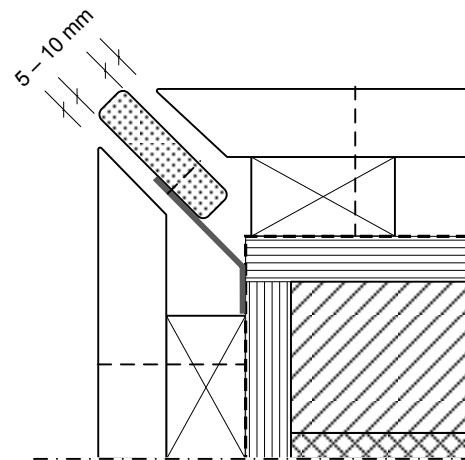
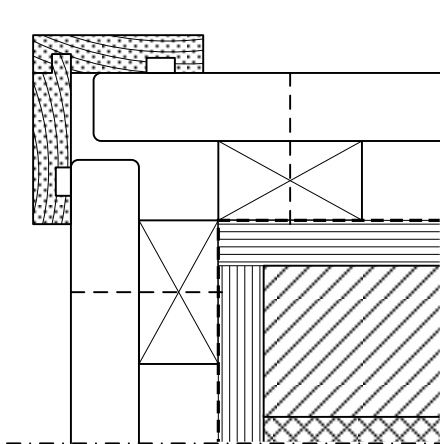
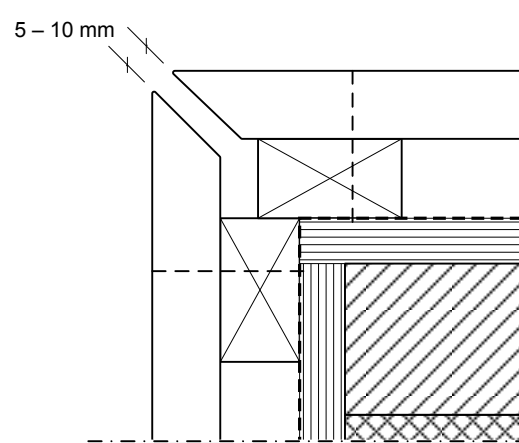
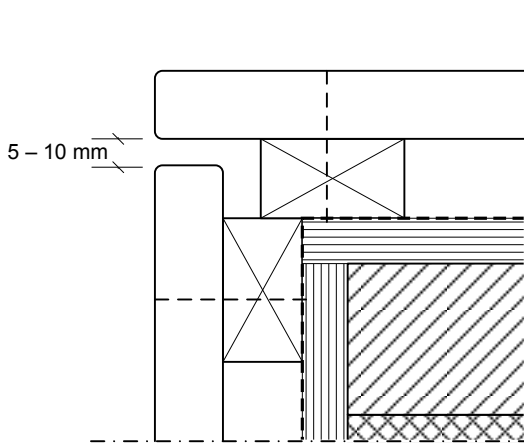
Accoya® cladding boards need to be installed with a mutual distance of at least 1 mm. When meeting other construction elements and/or between the length of two boards, a free space of 5 - 10 mm should be allowed for.

When open jointed, a vermin mesh might be required at certain joint widths. Please check local building codes to verify requirements.

The drawing shows the rough principles but are not meant to contain actual products. The system used must be designed to the specific project requirements, in accordance with all applicable building standards and regulations. The strength of the total system - spacing, number and type of fasteners required for the occurring wind load - must always be checked by a licensed engineer. To the best of the knowledge and belief of Accsys Technologies PLC the information contained in this document is in accordance with common building practice and is provided on the basis that Accsys Technologies and/or any of its affiliates, officers, employees or advisers are not liable for any loss or damage whatsoever in respect of the accuracy or completeness of such information or the result of having acted upon it.



ACCOYA® and the Trimarque Device are registered trademarks owned by Titan Wood Limited, Trading as "Accsys Technologies", a wholly owned subsidiary of Accsys Technologies PLC. The trademarks ACCOYA® and the Trimarque Device may not be used or reproduced without written permission from Accsys Technologies. ACCOYA® wood should always be installed and used in accordance with the written instructions and guidelines of Accsys Technologies and/or its agents (available upon request). Accsys Technologies accepts no liability for any defect, damage or loss that may occur where such written instructions and guidelines are not adhered to. No liability is accepted in relation to any coating, fastener or other product of a third party applied to ACCOYA® wood. Please refer to [accoya.com/downloads] for further information and full terms and conditions.



Joints

Accoya® cladding boards need to be installed with a mutual distance of at least 1 mm. When meeting other construction elements and/or between the length of two boards, a free space of 5 - 10 mm should be allowed for. When open jointed, a vermin mesh might be required at certain joint widths. Please check local building codes to verify requirements.

The drawing shows the rough principles but are not meant to contain actual products. The system used must be designed to the specific project requirements, in accordance with all applicable building standards and regulations. The strength of the total system - spacing, number and type of fasteners required for the occurring wind load - must always be checked by a licensed engineer. To the best of the knowledge and belief of Accsys Technologies PLC the information contained in this document is in accordance with common building practice and is provided on the basis that Accsys Technologies and/or any of its affiliates, officers, employees or advisers are not liable for any loss or damage whatsoever in respect of the accuracy or completeness of such information or the result of having acted upon it.

ACCOYA® and the Trimarque Device are registered trademarks owned by Titan Wood Limited, Trading as "Accsys Technologies", a wholly owned subsidiary of Accsys Technologies PLC. The trademarks ACCOYA® and the Trimarque Device may not be used or reproduced without written permission from Accsys Technologies. ACCOYA® wood should always be installed and used in accordance with the written instructions and guidelines of Accsys Technologies and/or its agents (available upon request). Accsys Technologies accepts no liability for any defect, damage or loss that may occur where such written instructions and guidelines are not adhered to. No liability is accepted in relation to any coating, fastener or other product of a third party applied to ACCOYA® wood. Please refer to [accoya.com/downloads] for further information and full terms and conditions.