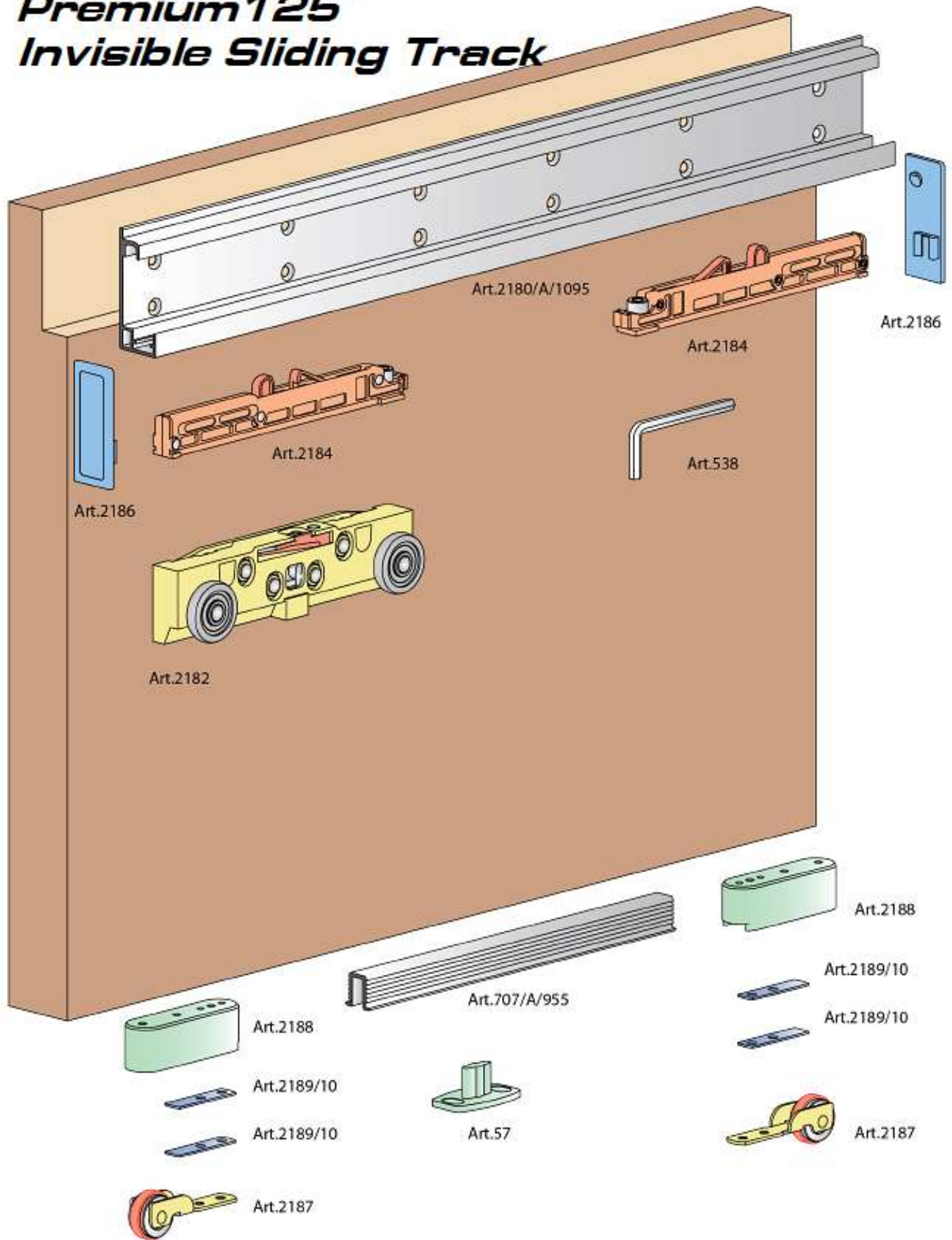


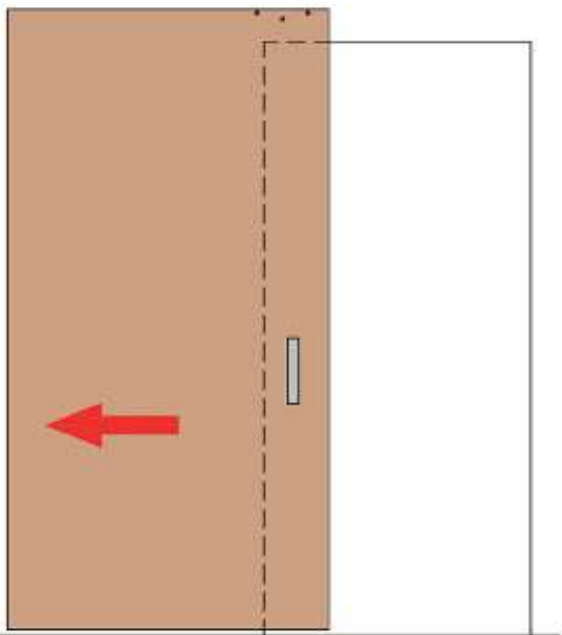
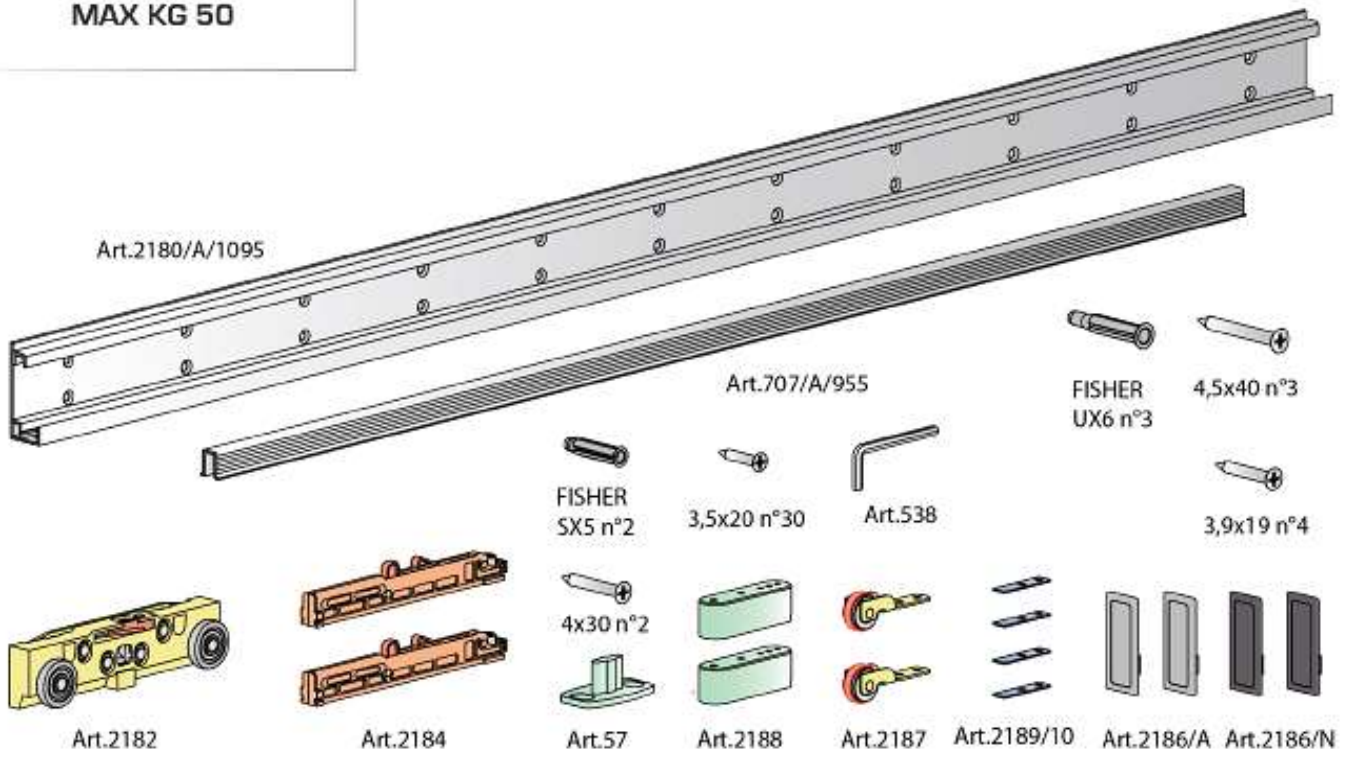
# *Premium 125 Invisible Sliding Door Track*



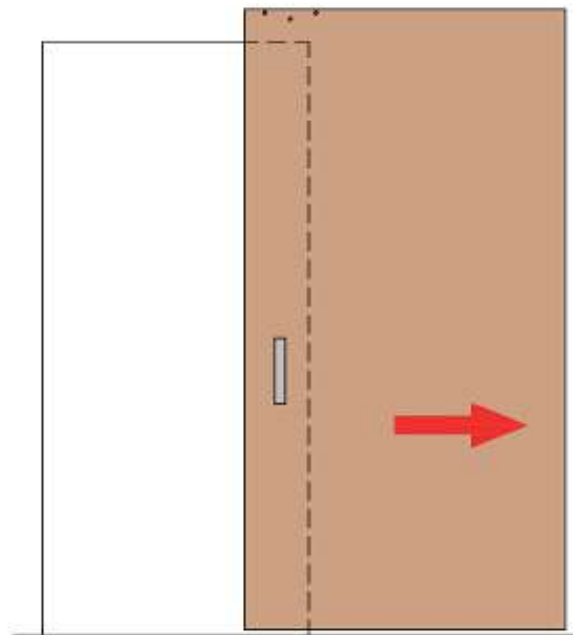
# Premium 125 Invisible Sliding Track



MAX KG 50

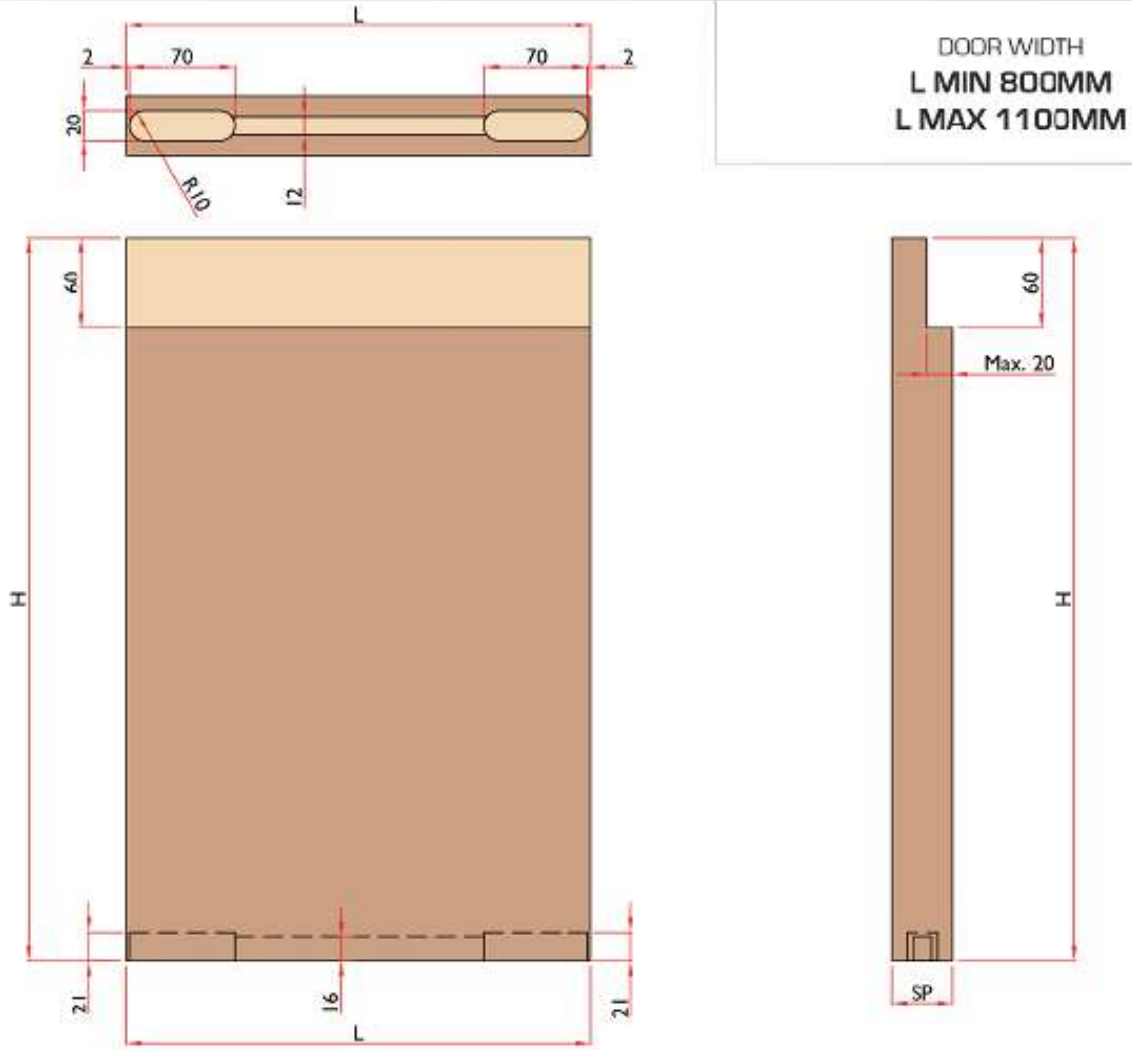


LEFT OPENING



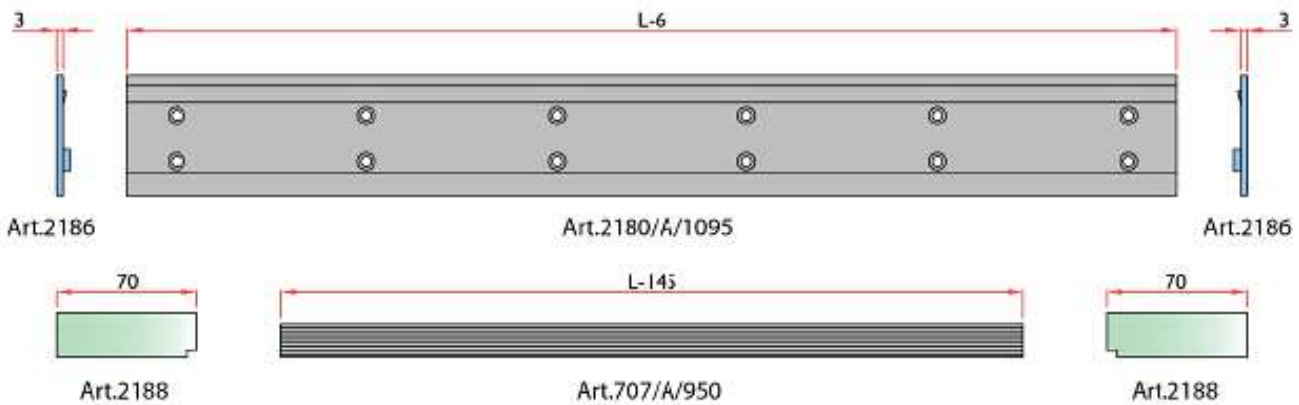
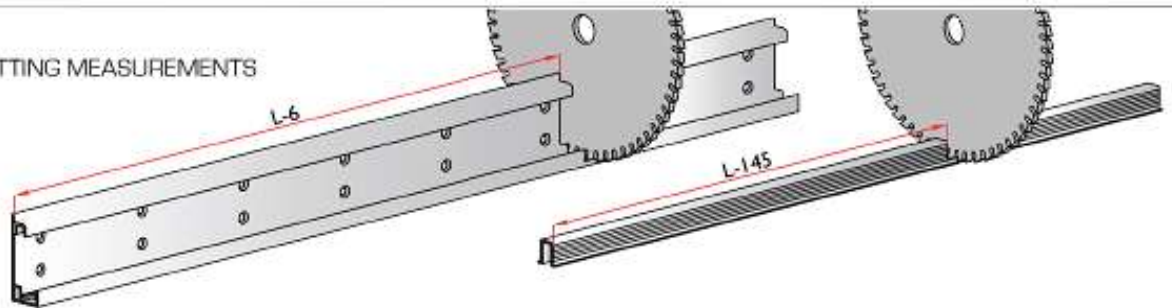
RIGHT OPENING

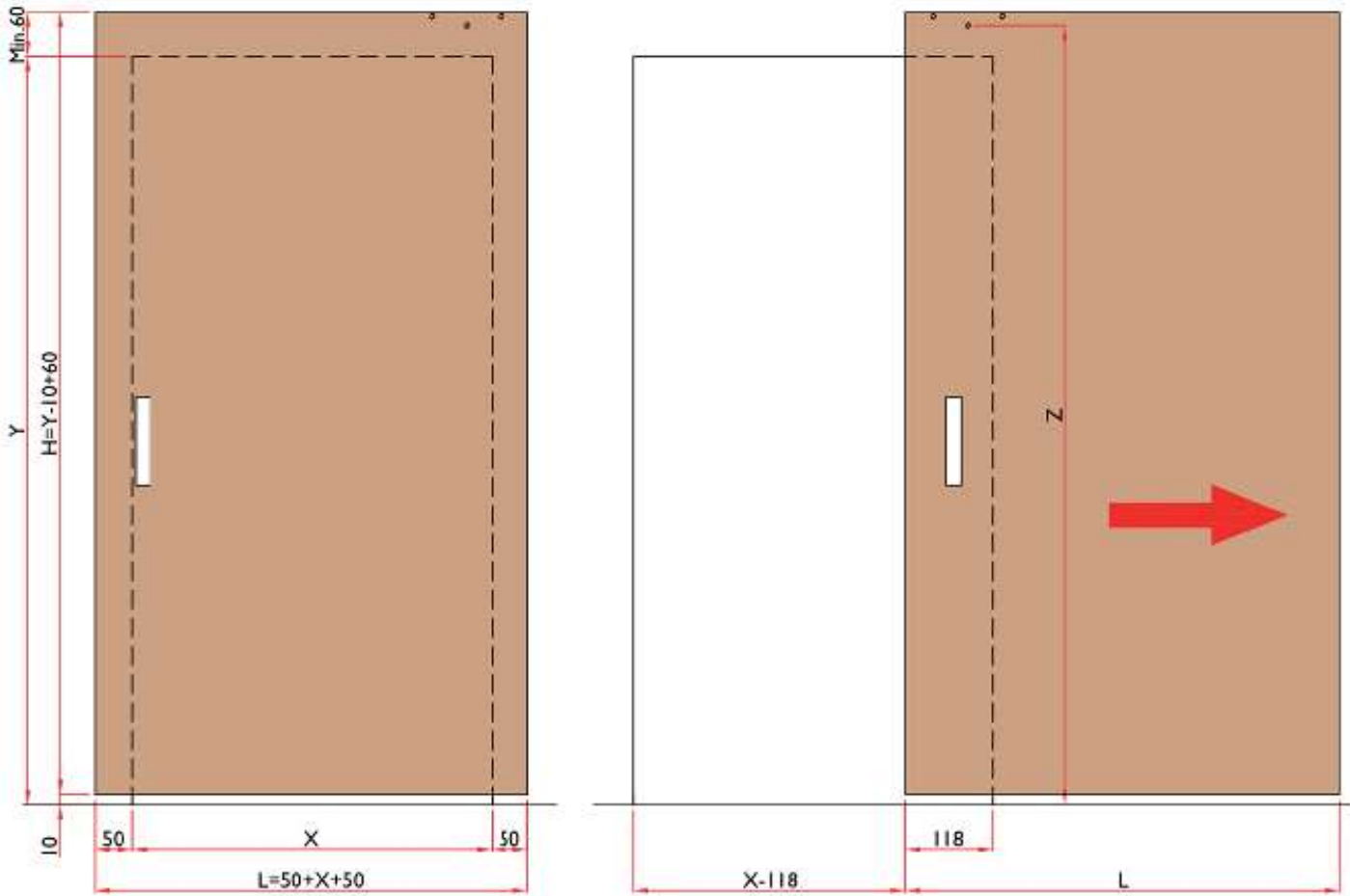
ART.2186/1095



DOOR WIDTH  
**L MIN 800MM**  
**L MAX 1100MM**

PROFILES CUTTING MEASUREMENTS





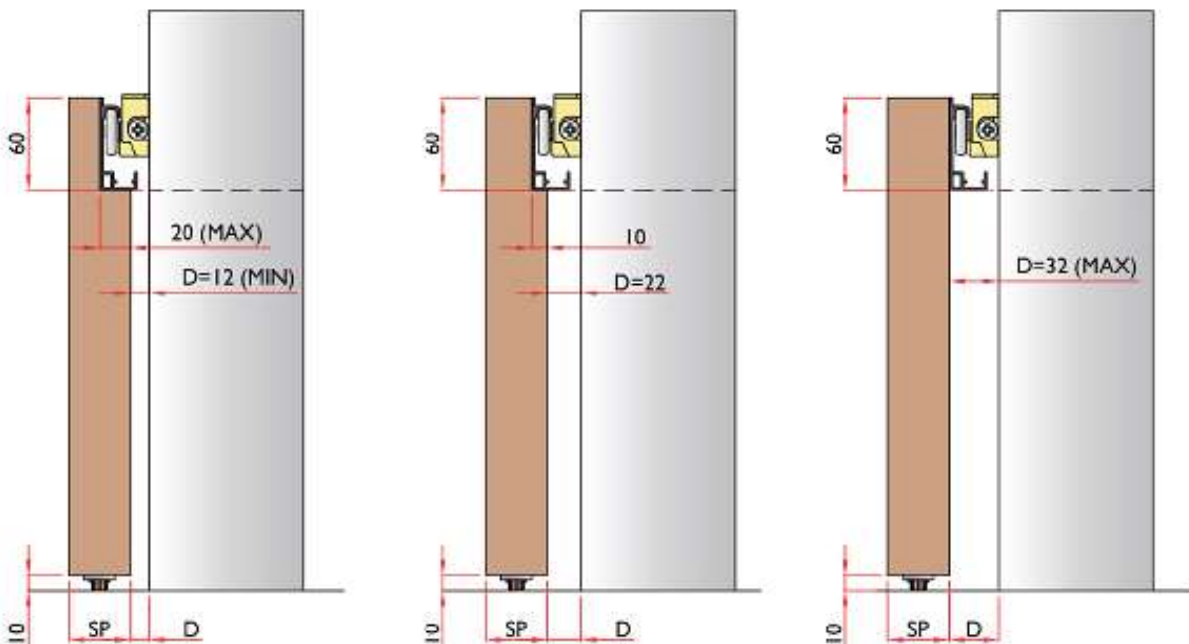
EXAMPLE

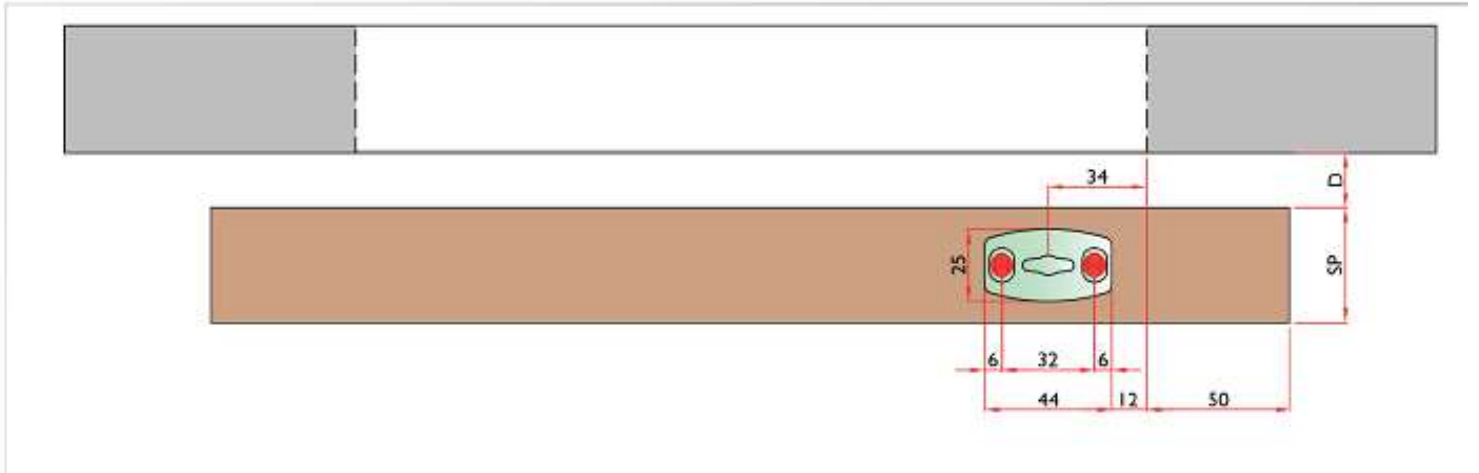
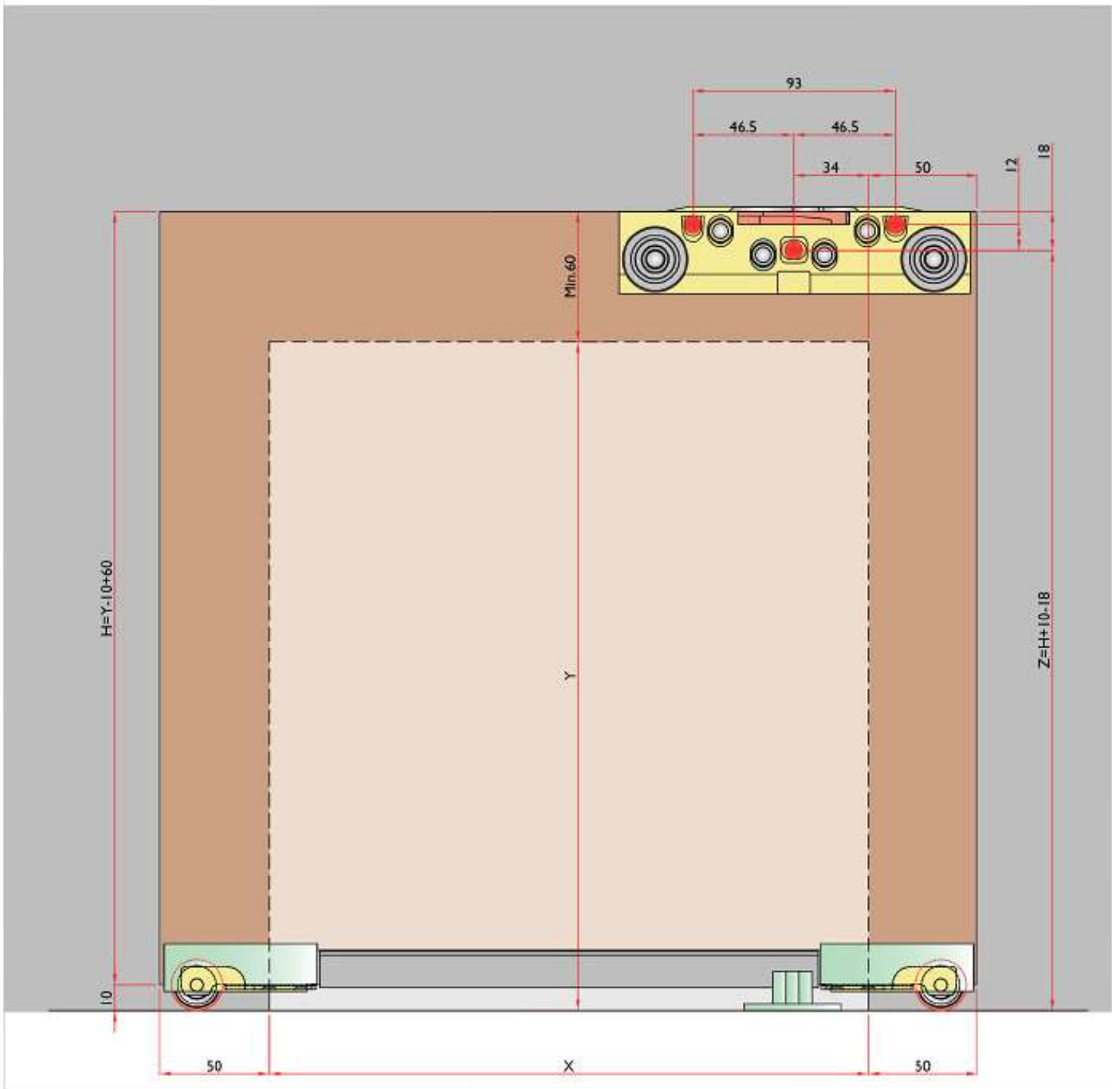
SIZES OF COMPARTMENT

$X = 900$   
 $Y = 2150$

SIZES OF DOOR

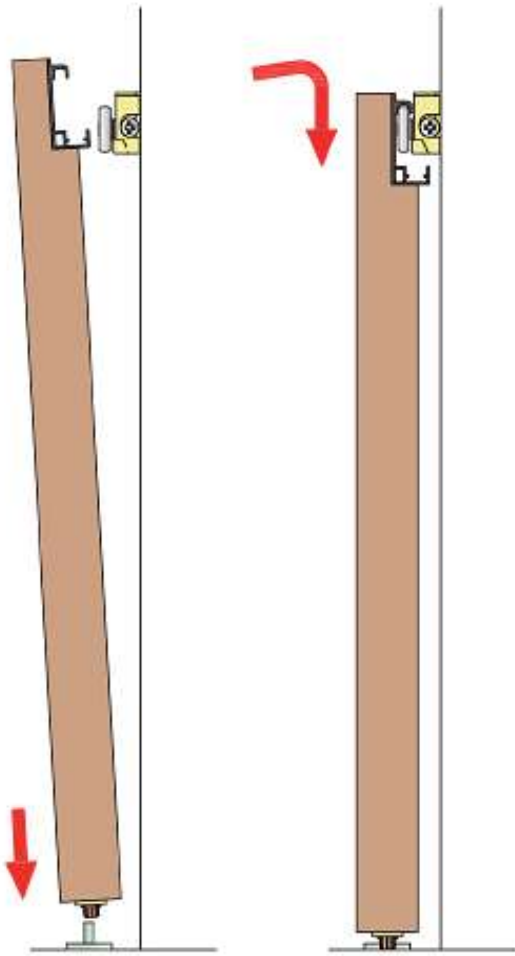
$L = 50 + X + 50 = 50 + 900 + 50 = 1000$   
 $H = Y + 50 = 2150 + 50 = 2200$



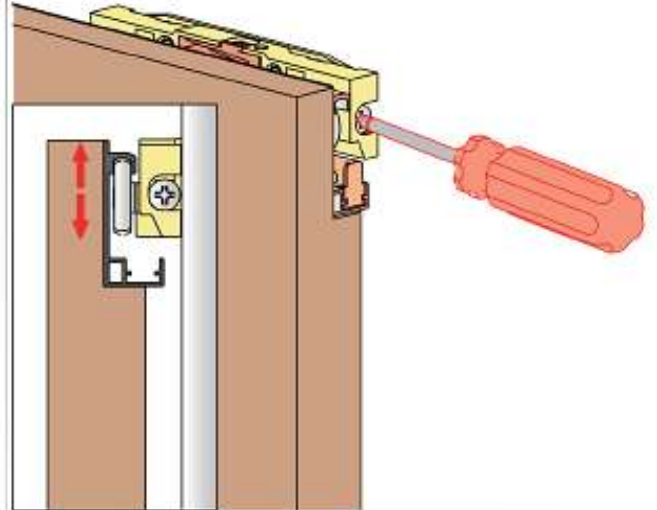




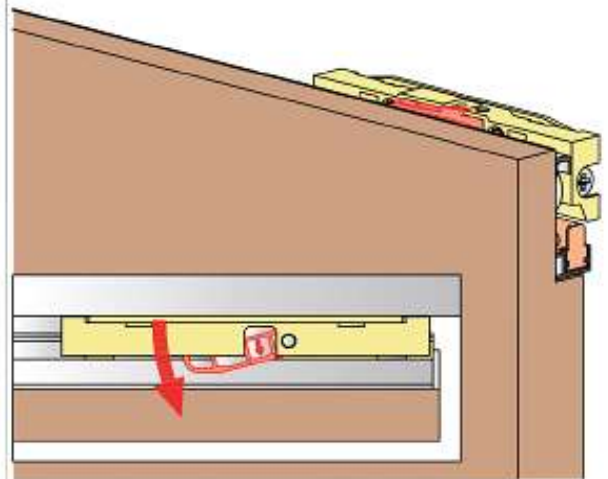
DOOR POSITIONING



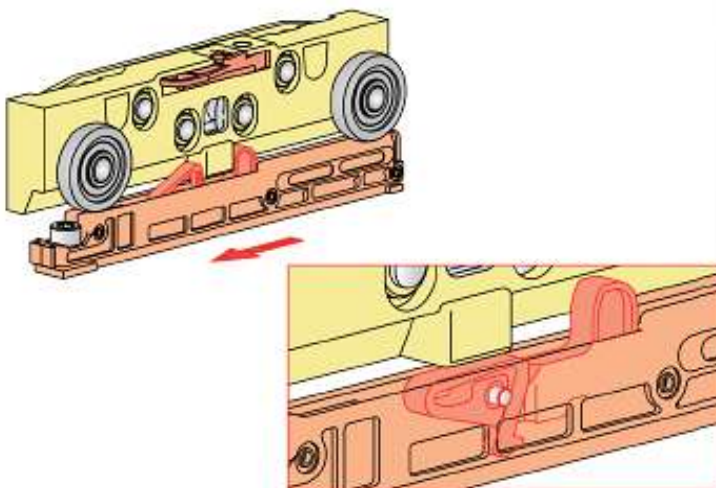
SLIDING ADJUSTMENT



ANTI-UNHOOKING ACTIVATION



SELF ACTIVATING SOFT CLOSING SYSTEM



LATERAL CAPS

