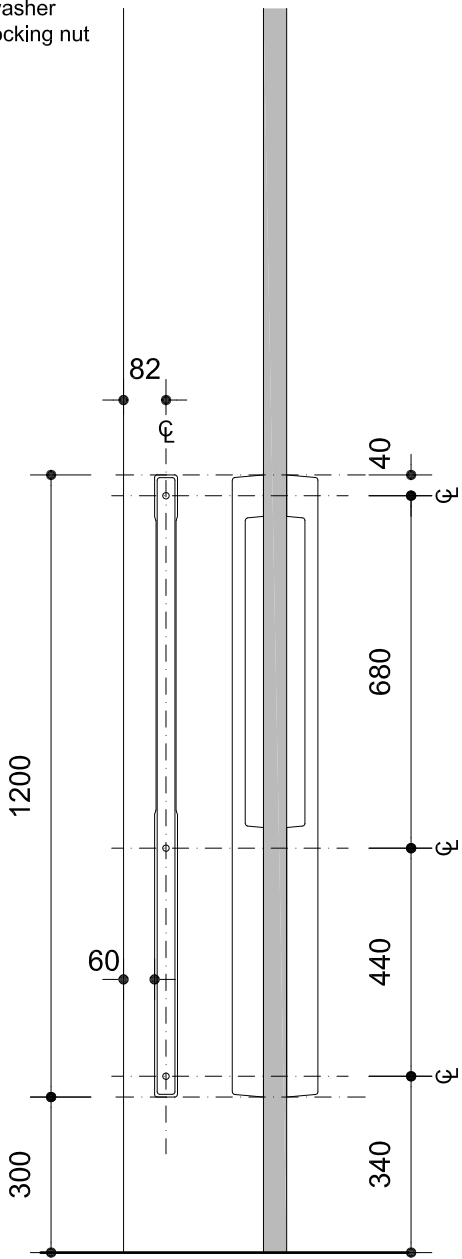
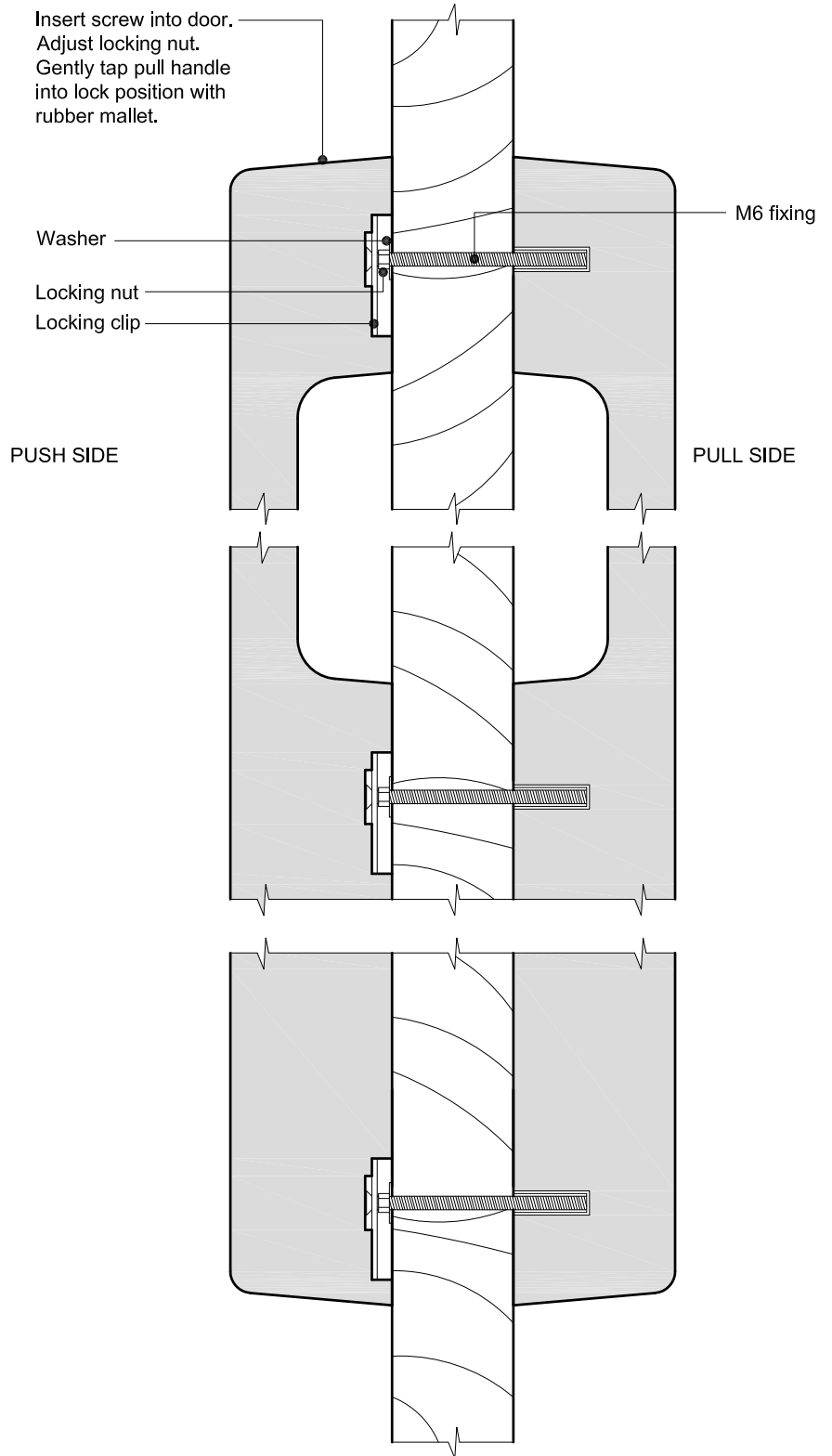


NOTE:  
 For TIRAR to be installed on exterior doors.  
 Door pull with threaded insert is to be located  
 on exterior face of door.

- 3 x M6 fixing
- 3 x washer
- 3 x locking nut



RECOMMENDED SETOUT  
 DRAWING NOT TO SCALE



# 1200mm Door Pull Back to Back Fixing on solid door

# TIRAR™

TIRAR made in Australia [www.tirar.com.au](http://www.tirar.com.au) [info@tirar.com.au](mailto:info@tirar.com.au)