

*Gainsborough*  
ENTER WITH STYLE

---

TRILOCKS

---



# WHY CHOOSE TRILOCK?

Gainsborough Trilocks are unique in design, offering a combination of lockset, deadbolt and passage functions in the one system. This 3-in-1 technology keeps your home private and secure and makes your life easier with speedy, one-hand access.

1. The push button lockset mode from the inside of the door features panic release by simply turning the inside knob or lever.

2. Levers can be easily rotated during installation for use on left or right hand doors.

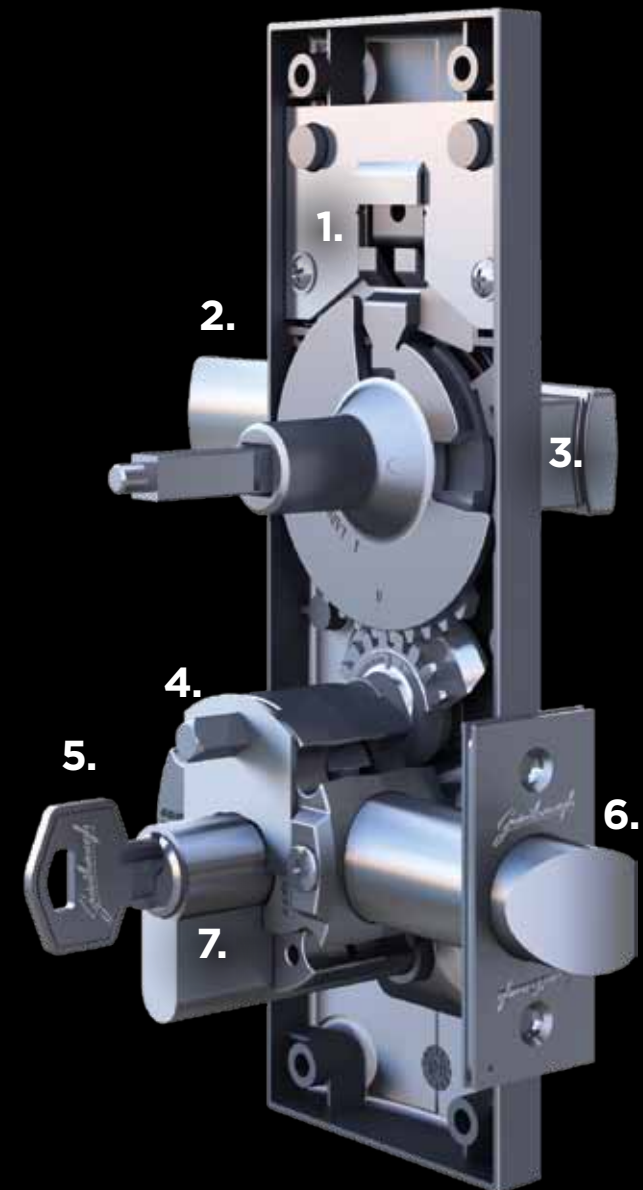
3. When unlocked and unsnibbed, Trilock operates as a normal passage set.

4. Lock body readily replaces old keylocks fitted to a standard 54mm hole.

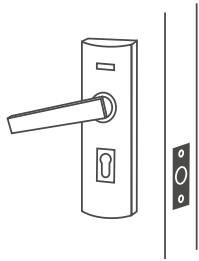
5. Single handed operation (key operates all functions of the lock).

6. Deadbolt 20mm throw for extra security.

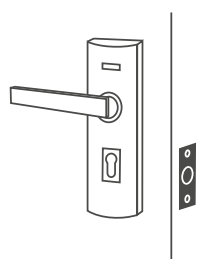
7. Solid brass double 5 pin Euro profile cylinder can be keyed alike to other Gainsborough products for same key convenience.



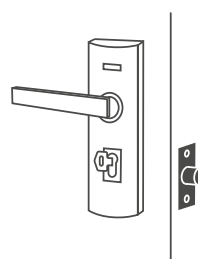
## HOW IT WORKS.



OUTSIDE AND  
INSIDE UNLOCKED



**PRESS LOCK** - OUTSIDE LOCKED  
AND INSIDE UNLOCKED



**TURN KEY** - OUTSIDE AND  
INSIDE DEADBOLTED

## THREE FUNCTIONS, ONE LOCK.

**1. Lockset with safety.** Pressing the button on the inside of the door engages the Trilock lockset mode. This locks the door from the outside, however it is safe to exit without a key in an emergency by simply turning the inside knob or lever.

**2. Deadbolt security.** Trilock houses a key-operated double cylinder deadbolt, with a sturdy 20mm throw. The single cylinder version features inside turn button.

**3. Passage set convenience.** When Trilock is unlocked and unsnibbed, it operates as a standard passage set, allowing free access in or out of the home.

## YOUR TRILOCK OPTIONS.

**Traditional Trilock:** Traditional styling in lever and knob options.

**Contemporary Trilock:** Modern styling with cutting-edge lever designs.

**Omni Trilock:** Pull handle with clever concealed lever option on the exterior side of the door, flat plate on the interior side of the door.

**Eclipse Trilock:** Designer styling with a flat plate on both exterior and interior sides of the door.

All Trilocks have matching internal lever options.



Please visit [www.gainsboroughhardware.com.au](http://www.gainsboroughhardware.com.au)  
for the full details of our limited guarantee.

## G2 SERIES. A STATEMENT IN STYLE.

Make a statement or add your personal signature to your home with our G2 Series; high-quality, everyday door hardware with a design edge. The perfect fusion of innovative technology and eye-catching looks, you can expect G2 to impress as well as stand the test of time.



## COMPLETE THE LOOK.

Match your internal door handles with your Trilock for a consistent look inside and out.

Trilock Align



Privacy Align Lever



Passage Align Lever



# FROM THE CLASSIC CHIC OF **G2 TRILOCK TRADITIONAL** OR THE MODERN LOOK OF **G2 TRILOCK CONTEMPORARY**

Traditional

Contemporary



**G2**  
SERIES

**Leverset Bright Gold**  
Also available in BC & SC



**G2**  
SERIES

**Knobset Bright Chrome**  
Also available in BG & SC



**G2**  
SERIES

**Precise Satin Chrome**  
Also available in BC



**G2**  
SERIES

**Align Bright Chrome**  
Also available in SC



**G2**  
SERIES

**Angular Bright Chrome**  
Also available in SC

All G2 Trilocks are available in Single Cylinder, Double Cylinder and Dummy versions.  
FINISH CODES BC = Bright Chrome BG = Bright Gold SC = Satin Chrome





## Omni External View

---



Trilock Omni External  
Stainless Steel



Concealed external lever with  
flat plate Trilock on the interior

## Omni Internal View

---



Allure Stainless Steel



Enchant Stainless Steel



Rochas Stainless Steel

ACCENTUATE THE MODERN  
FEATURES OF YOUR HOME  
WITH THE DESIGNER RANGE OF  
**OMNI AND ECLIPSE TRILOCKS**

Eclipse

---



Allure Stainless Steel



Enchant Stainless Steel



Rochas Stainless Steel

All Eclipse and Omni Trilocks are available in Single Cylinder, Double Cylinder and Dummy versions.  
FINISH CODES SS = Stainless Steel



To find out more about our range of door hardware contact us on **13 14 18** or visit [www.gainsboroughhardware.com.au](http://www.gainsboroughhardware.com.au)



**Safety Notice:** For double cylinder function, we recommend that you do not keylock from the inside of the door when occupants are inside. If you choose to do so, ensure key is readily accessible and operable by all persons who may need to exit the building in an emergency. Ensure occupants know how to operate lock and keys to gain immediate exit.

Due to the nature of the printing process, colours may vary from those shown in this brochure.

**Gainsborough  
Trilock**  
Licence No. 96313  
Standards Australia

**Gainsborough Hardware Industries Limited**  
ABN 25 004 792 269  
31-33 Alfred Street, Blackburn Victoria 3130.



999/TCAT | GAIH213504