

# Mechanical Entrance Locksets



We take the worry out of  
protecting what's valuable to you.  
Lockwood: *no worries*<sup>®</sup>

**LOCKWOOD**

ASSA ABLOY

**25YEAR**

MECHANICAL  
WARRANTY

# Contents



## **Nexion® Mechanical**

Entrance Lockset

**page 3**



## **Velocity®**

Entrance Lockset

**page 7**



## **Entrance Locksets**

Lever Options

**page 11**



## **Entrance Locksets**

Accessories

**page 13**



## **Paradigm®**

Pull Handle Lockset  
Deadbolt

**page 15**



## **Paradigm®**

Pull Handle Lockset  
Deadlatch

**page 17**



## **Paradigm®**

Pull Handle Lockset  
Dummy Handle

**page 19**

# Nexion® Mechanical Entrance Lockset



The Nexion Entrance Lockset represents the next generation in home security.

Designed and manufactured to the highest quality standard, the Lockwood Nexion range has set the benchmark for safety, security and style.

Available in two furniture plate styles, Vision or Classic and a choice of up to 7 designer levers, you can customise your front door suite to suit your own individual style.

## Features and Specifications

- Three mode security: Secure, Safety and Passage mode provides excellent security without compromising convenience
- LockAlert® indicator shows lock status at a glance
- SafetyRelease™ automatically unlocks the inside handle upon entry to minimise the risk of being locked in
- High security latch
- Box strike with concealed crossgrain door frame strengthening screw
- Can be keyed alike to other Lockwood door locks as well as builder's key systems

## Product Details

<b>Backset</b>	60mm as supplied 70mm optional (order part 530-222SC)
<b>Case</b>	High purity zinc alloy
<b>Door Thickness</b>	35 to 45mm
<b>Finishes*</b>	Satin Chrome (SC) Satin Pearl (SP) Chrome Plate (CP)
<b>Handles*</b>	Up to 7 Lever Designs
<b>Latch</b>	13mm projection brass bolt
<b>Strike</b>	Box strike with concealed crossgrain door frame strengthening screw
<b>Templates</b>	Installation template included
<b>Handing</b>	Adjustable handing by set screw
<b>Cylinder</b>	Internal and external. 5 pin tumbler mechanism with 6 pin capability. Brass cylinders and brass barrels.

\* See ordering procedure for product range

## Standards and Compliance



The locksets can be optioned to suit fire door sets with a fire resistance level of up to 1 hour on fire door assemblies in accordance with Australian Standard AS1905.1:2005 Fire Resistant Doorsets. The fire rated option is achieved with a standard Nexion Vision Entrance Lockset and the optional fire rated kit (order NXVFRKIT). The Nexion Classic does not have a fire rated kit option.

**SL7** (Security) Australian Lock Standard (AS4145.2.2008)

**D8** (Durability) Australian Lock Standard (AS4145.2.2008)

**C5** (Corrosion) Australian Lock Standard (AS4145.2.2008)

**CE** CE Approved

**C** C-tick certified

# Nexion® Mechanical Entrance Lockset

## Keying

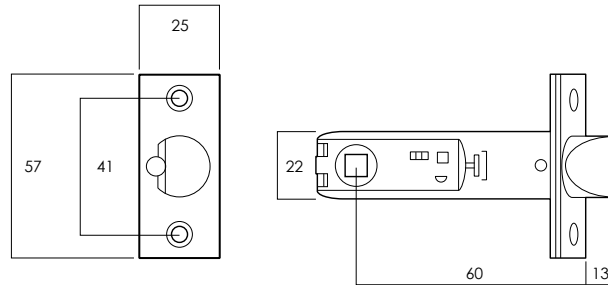
- Supplied individually keyed with two keys per lock
- 78,000 key combinations
- Key blank KB2015P

### Restricted Special Keying

Lockwood locks can be keyed to a number of controlled and/or specially keyed systems. These range from legally protected keys to protect against unauthorised duplication, which can also include specially designed key systems such as master key systems, which allow for different levels of mechanical access control.

Please refer to Lockwood Keying Catalogue or contact your local sales office or customer service for specific information.

## Latch Dimensions



**Kinetic Defence®**  
Bump and pick resistant.



**Deadlatch Bolt**  
13mm projection  
brass bolt.



**SafetyRelease™**  
Minimises the risk of being  
locked in.



**2 Keys Included**  
Can be keyed alike to other  
Lockwood door locks.



**LockAlert®**  
Interior Indicator shows  
lock status at a glance.



**Quick Installation**  
Suitable for door thicknesses  
between 35–45mm.



**Safety Mode**  
Securely locked from outside  
and free from inside.



**Retrofittable**  
Fits majority of doors with  
54mm hole.



**Secure Mode**  
Securely locked from both  
inside and outside. For when  
nobody is home.



**Passage Mode**  
Free to enter from outside  
and free to exit from inside.

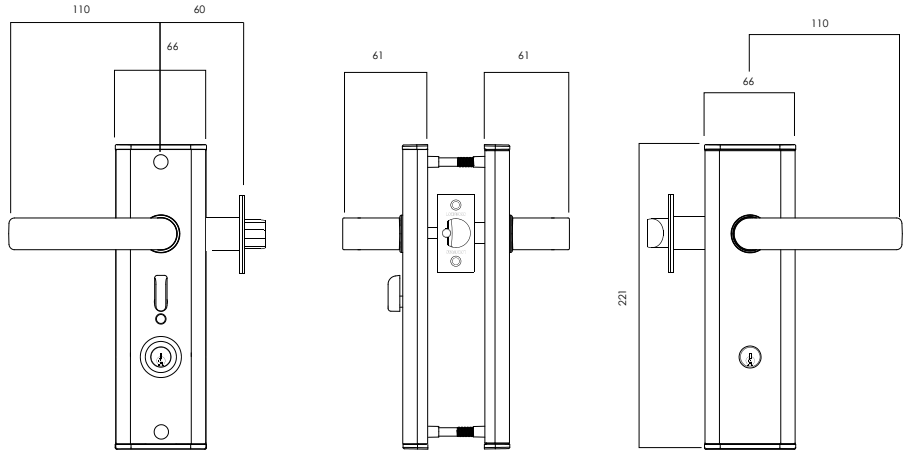
# Nexion® Mechanical Entrance Lockset

## Nexion Vision - Double Cylinder



Exterior

Interior

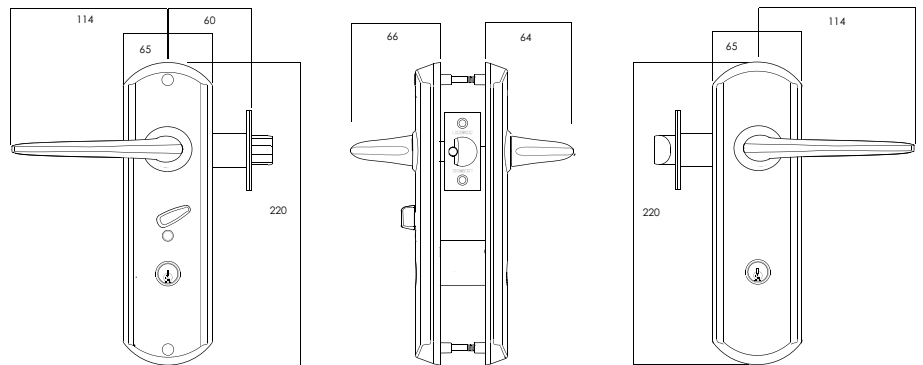


## Nexion Classic - Double Cylinder



Exterior

Interior



# Nexion® Mechanical Entrance Lockset

## Ordering Procedure

Sample part number NXV12/1L1CP is made up of several sections. Choose your product by selecting an option from each section.

## Nexion® Vision Entrance Locksets

Series	Function	Cylinders	App. Options	Levers	Finish	Keying
NXV	1	2	1	L1	CP	

Series	Cylinders	Levers	Keying
Nexion Vision <span style="float: right;">NXV</span>	Dummy Set <span style="float: right;">0</span> Double <span style="float: right;">2</span>	Summit <span style="float: right;">L1</span> Spire <span style="float: right;">L2</span> Element <span style="float: right;">L3</span> Glide <span style="float: right;">L4</span> Hakea <span style="float: right;">28</span> Acacia <span style="float: right;">29A*</span> Saltbush <span style="float: right;">34</span>	Keyed to Differ (Standard) Keyed Alike 5 Pins <span style="float: right;">5KA</span> Project Keyed 5 Pins <span style="float: right;">5PK</span> Restricted Profile 5 Pins <span style="float: right;">5RP</span> Keyed Alike 6 Pins <span style="float: right;">6KA</span> Project Keyed 6 Pins <span style="float: right;">6PK</span>

Function	Application Options
Mechanical <span style="float: right;">1</span> Dummy* <span style="float: right;">4</span>	Timber Frame Strike* <span style="float: right;">1</span>

\*Only available with L3 Lever and SC finish

\*Metal Frame T-Strike optional (order part NX8/40SC)

\*Lever 29A only in SC and CP finishes

\*For Fire Rated Nexion Vision option (order part NXVFRKIT)

Finish
Satin Chrome <span style="float: right;">SC</span> Satin Pearl <span style="float: right;">SP</span> Chrome Plate <span style="float: right;">CP</span>

## Nexion® Classic Entrance Locksets

Series	Function	Cylinders	App. Options	Levers	Finish	Keying
NX	1	2	1	L1	CP	

Series	Cylinders	Levers	Keying
Nexion Classic <span style="float: right;">NX</span>	Double <span style="float: right;">2</span>	Summit <span style="float: right;">L1</span> Spire <span style="float: right;">L2</span>	Keyed to Differ (Standard) Keyed Alike 5 Pins <span style="float: right;">5KA</span> Project Keyed 5 Pins <span style="float: right;">5PK</span> Restricted Profile 5 Pins <span style="float: right;">5RP</span> Keyed Alike 6 Pins <span style="float: right;">6KA</span> Project Keyed 6 Pins <span style="float: right;">6PK</span>

Function	Application Options
Mechanical <span style="float: right;">1</span>	Timber Frame Strike <span style="float: right;">1</span>

Finish
Satin Pearl <span style="float: right;">SP</span> Chrome Plate <span style="float: right;">CP</span>

# Velocity® Entrance Lockset



The Velocity Entrance Lockset is the latest development in the Entrance Lockset range.

Designed and manufactured to Australian Standards, the Velocity Entrance Lockset provides a simple and functional entrance lock to complement the Velocity Door Handle range.

## Features and Specifications

- Easy Installation, retrofits most common front door preparations
- Allen key fixing screws for improved security and appearance
- Three mode of security: Secure, Safety and Passage mode provides excellent security without compromising convenience
- High security latch
- Box strike with concealed crossgrain door frame strengthening screw
- Designed to be keyed to builder's key systems, keyed alike or keyed to differ

## Product Details

<b>Backset</b>	60mm as supplied 70mm optional (order part 530-222SC)
<b>Case</b>	High purity zinc alloy
<b>Door Thickness</b>	35 to 45mm
<b>Finishes</b>	Satin Chrome (SC)
<b>Handles</b>	Lever 3
<b>Latch</b>	13mm projection brass bolt
<b>Strike</b>	Box strike with concealed crossgrain door frame strengthening screw
<b>Templates</b>	Installation template included
<b>Handing</b>	Adjustable handing by set screw
<b>Cylinder</b>	Internal and external 5 pin tumbler mechanism with 6 pin capability Brass cylinders and brass barrels

\* See ordering procedure for product range

## Standards and Compliance

<b>SL7</b>	(Security) Australian Lock Standard (AS4145.2.2008)
<b>D8</b>	(Durability) Australian Lock Standard (AS4145.2.2008)
<b>C5</b>	(Corrosion) Australian Lock Standard (AS4145.2.2008)
<b>CE</b>	CE Approved

# Velocity® Entrance Lockset

## Keying

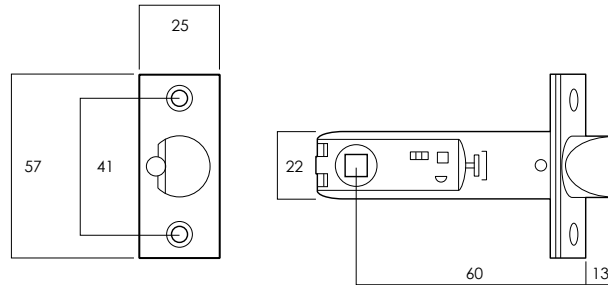
- Supplied individually keyed with two keys per lock
- 78,000 key combinations
- Key blank KB2015P

### Restricted Special Keying

Lockwood locks can be keyed to a number of controlled and/or specially keyed systems. These range from legally protected keys to protect against unauthorised duplication, which can also include specially designed key systems such as master key systems, which allow for different levels of mechanical access control.

Please refer to Lockwood Keying Catalogue or contact your local sales office or customer service for specific information.

## Latch Dimensions



**Kinetic Defence®**  
Bump and pick resistant.



**Quick Installation**  
Suitable for door thicknesses between 35–45mm.



**SafetyRelease™**  
Minimises the risk of being locked in.



**Deadlatch Bolt**  
13mm projection brass bolt.



**Safety Mode**  
Securely locked from outside and free from inside.



**2 Keys Included**  
Can be keyed alike to other Lockwood door locks.



**Secure Mode**  
Securely locked from both inside and outside. For when nobody is home.



**Retrofitable**  
Fits majority of doors with 54mm holes.



**Passage Mode**  
Free to enter from outside and free to exit from inside.



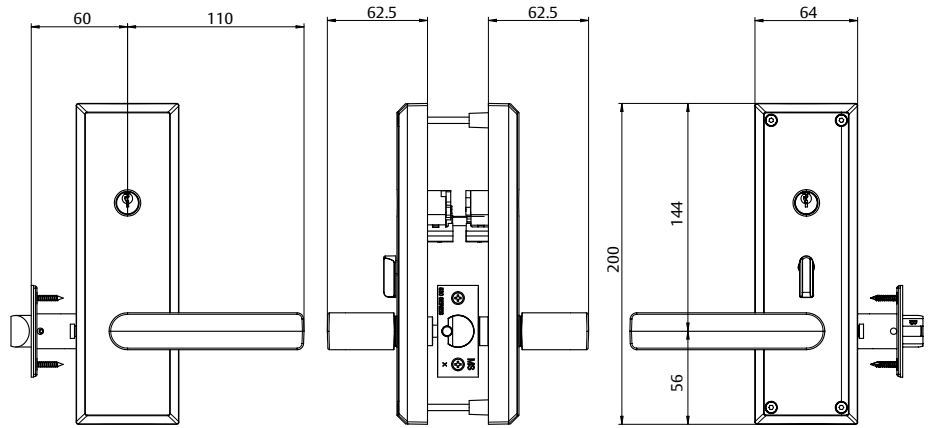
# Velocity® Entrance Lockset

## Velocity - Double Cylinder



Exterior

Interior



# Velocity® Entrance Lockset

## Ordering Procedure

Sample part number VELO/L3SCDP is made up of several sections. Choose your product by selecting an option from each section.

## Velocity® Entrance Lockset

Series	Function	Levers	Finish	Packaging	Keying
VEL	0	L3	SC	DP	

Series	Lever	Keying
Velocity VEL	Element L3	Special Keying - Residential Only Keyed Alike 5 Pins 5KA
		Project Keyed 5 Pins 5PK
		Restricted Profile 5 Pins 5RP
		Keyed Alike 6 Pins 6KA
		Project Keyed 6 Pins 6PK
		No Cylinder NOCYL

Function	Finish	Packaging
Entrance Lockset 0	Satin Chrome SC	Display Pack DP
		Trade Pack

*\*Keying variants only available in Trade Pack*

# Entrance Locksets - Lever Options

## Summit®- L1

**Part Number**

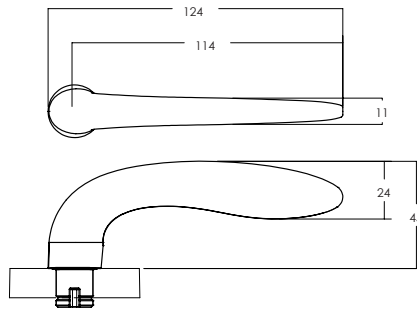
**Diameter** 124mm

**Maximum Projection** 65mm

**Velocity Entrance** X

**Nexion Classic** ✓

**Nexion Vision** ✓



## Spire®- L2

**Part Number**

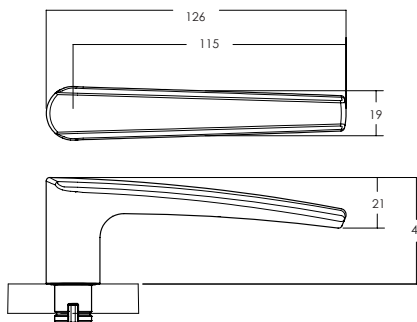
**Diameter** 126mm

**Maximum Projection** 65mm

**Velocity Entrance** X

**Nexion Classic** ✓

**Nexion Vision** ✓



## Element™ - L3

**Part Number**

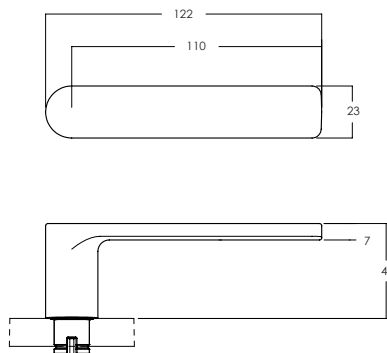
**Diameter** 122mm

**Maximum Projection** 62mm

**Velocity Entrance** ✓

**Nexion Classic** X

**Nexion Vision** ✓



## Glide™ - L4

**Part Number**

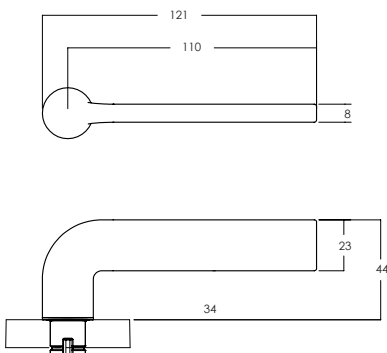
**Diameter** 121mm

**Maximum Projection** 64mm

**Velocity Entrance** X

**Nexion Classic** X

**Nexion Vision** ✓



# Entrance Locksets - Lever Options

## Hakea® - 28

Part Number

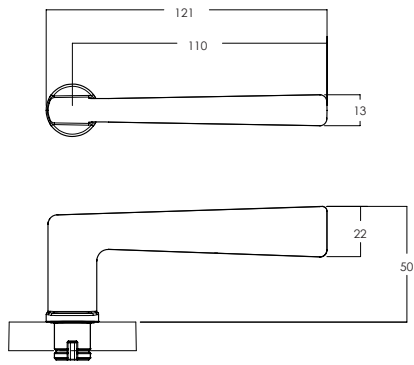
Diameter 121mm

Maximum Projection 70mm

Velocity Entrance **X**

Nexion Classic **X**

Nexion Vision **✓**



## Acacia® - 29A

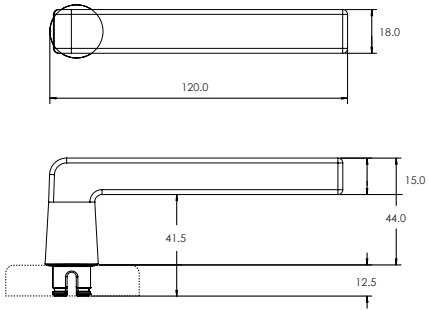
Length 121mm

Maximum Projection 64mm

Velocity Entrance **X**

Nexion Classic **X**

Nexion Vision **✓**



## Saltbush® - 34

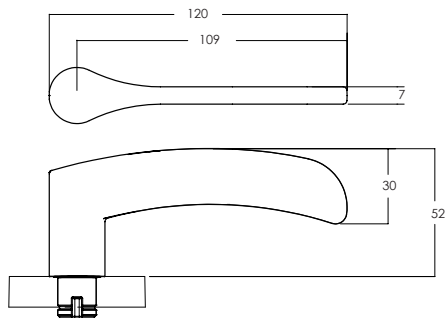
Length 120mm

Maximum Projection 72mm

Velocity Entrance **X**

Nexion Classic **X**

Nexion Vision **✓**



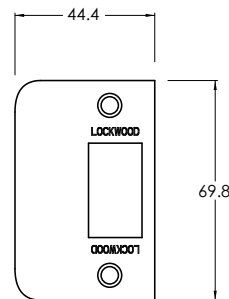
# Mechanical Entrance Lockset - Accessories

## Standard D-Strike

**Part Number** NX8/200SSS

**Supplied with**  
2 x Wood Screws

Suitable for timber framed inward and outward doors. Available in trade pack only. Satin Stainless Steel Finish.

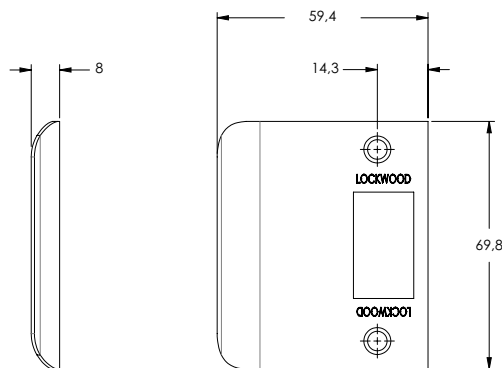


## Extended Strike Kit

**Part Number** **Finish**

NX-300SSS Satin Stainless Steel

NX-300PSS Polished Stainless Steel



## Short/Extended Lipped Strikes

**Part Number** **Lip Length A** **Lip Length B**

3772-STK25XX 25.4mm 39.3mm

3772-STK32XX 32mm 46.1mm

3772-STK43XX 43.5mm 57.8mm

3772-STK47XX 47.5mm 61.8mm

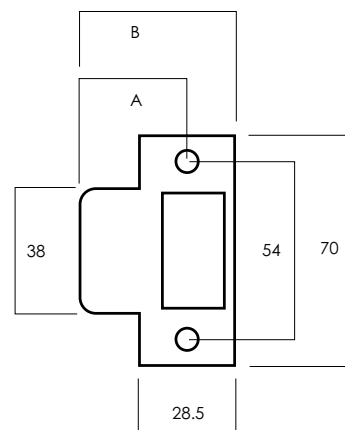
3772-STK60XX\* 60mm 74.2mm

To order, add finish code to part number.

XX designates the finish.

**SS** - Stainless Steel, **CP** - Chrome Plate, **PB** - Polished Brass

\*Only available in Stainless Steel (**SS**) finish.



## Nexion Screw Caps (Pack of 50)

**Part Number** **Finish**

NX-412SC Satin Chrome

NX-412SP Satin Chrome Pearl

NX-412CP Chrome Plate

# Mechanical Entrance Lockset - Accessories

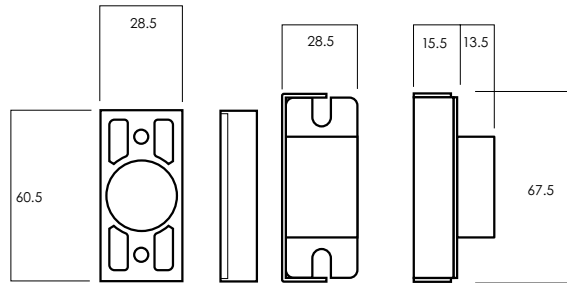
## Rebate Kit

**Part Number** NX8/20SC

### Supplied with

- 1x Strike Box
- 1x Latch Packer
- 2x Wood Screws

Suitable for rebated doors. Available in trade pack only Satin Chrome.



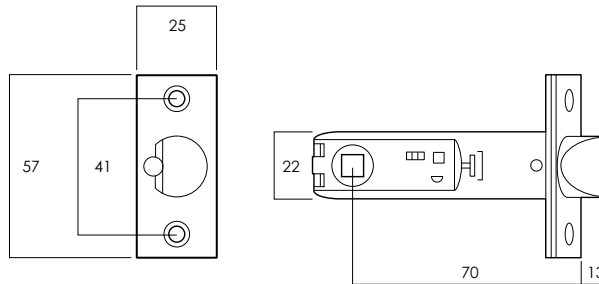
## 530-222SC Latch with 70mm Backet

**Part Number** 530-222SC

**Finish** Satin Chrome

### Supplied with

- 1 x T Strike
- 4 x Wood Screws



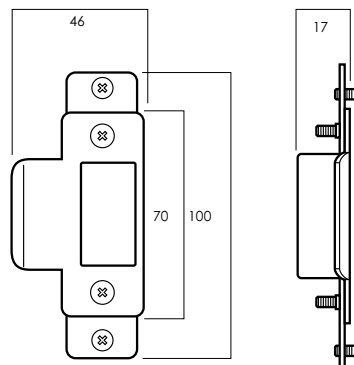
## Metal Frame Strike Kit

**Part Number** NX8/40SC

### Supplied with

- 1x T-strike
- 1x Metal Strike Box
- 2x Metal Thread Screws

Metal frame doors. Available in trade pack only in Satin Chrome.



## Nexion Vision - Fire Rated Kit

**Part Number** NXVFRKIT

### Supplied with

- 1 x Mounting Plate with screws
- 1 x Stainless Steel T-Strike
- 2 x Metal Thread Strike Screws
- 1 x Long Spindle
- 2 x Mounting Screws (46 to 50mm doors)
- 1 x Cylinder Driver
- 1 x Instructions (5036M)

Metal mounting plate for fire rated installations for doors 35mm to 50mm.

# Paradigm® Pull Handle Lockset - Deadbolt



The Australian designed Paradigm® Pull Handle Lockset expresses superior state-of-the-art design featuring a contemporary style that delivers exceptional safety and security.

Suitable for residential, new building and renovation market applications.

The Pull Handle lockset incorporates innovative safety features from the Paradigm 005 Deadbolt and is manufactured with high end 304 grade stainless steel that comes in a brushed satin finish.

## Key Features

- Three function modes with DualSelect® provides combination of convenience and security
- High security cut resistant stainless steel bolt
- Brushed 304 Grade Stainless Steel Pull Handles
- Concealed screw fixings gives a neat and clean appearance
- Safety Release™ automatically unlocks internal knob upon key entry from outside
- LockAlert® indicator shows lock status at a glance

## Restricted Special Keying

Lockwood locks can be keyed to a number of controlled and/or specially keyed systems. These range from legally protected keys to protect against unauthorised duplication, which can also include specially designed key systems such as master key systems, which allow for different levels of mechanical access control.

Please refer to Lockwood Keying Catalogue or contact your local sales office or customer service for specific information.

## Product Details

<b>Dimensions</b>	External handle length - 600mm Internal handle length - 500mm Handle width - 30mm
<b>Backset</b>	60mm-70mm adjustable
<b>Bolt</b>	High security cut resistant
<b>Cylinder</b>	5 pin tumbler mechanism Brass cylinder and brass barrel
<b>Door Thickness</b>	32 - 48mm 32-36mm doors require a spacer (Included)
<b>Finishes</b>	Satin Stainless Steel ( <b>SSS</b> ) and Matt Black ( <b>MBK</b> ) <i>*Refer to the Nero Collection catalogue</i>
<b>Materials</b>	304 Grade Stainless Steel
<b>Strike</b>	Box strike with concealed crossgrain door frame strengthening screw
<b>Magnets</b>	Door Magnets included to hold the door(s) in position when in passage mode (free to enter from outside and free to exit from inside)
<b>Keying</b>	<ul style="list-style-type: none"> <li>• Supplied individually keyed with two keys per lock</li> <li>• 78,000 key combinations</li> <li>• Key blank KB2015P</li> </ul>

## Standards and Compliance

<b>SL8</b>	(Security) Australian Lock Standard (AS4145.2 - 2008)
<b>D8</b>	(Durability) Australian Lock Standard (AS4145.2 - 2008)
<b>C6</b>	(Corrosion) Australian Lock Standard AS4145.2 - 2008)
<b>K5</b>	(Key Security) Australian Lock Standard AS4145.2 - 2008)

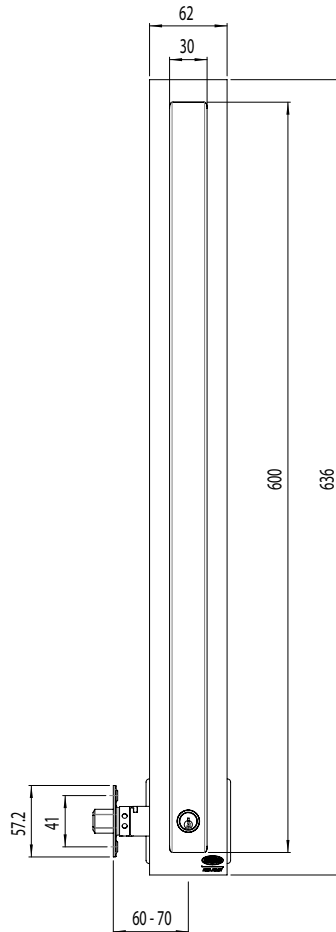
# Paradigm® Pull Handle Lockset - Deadbolt



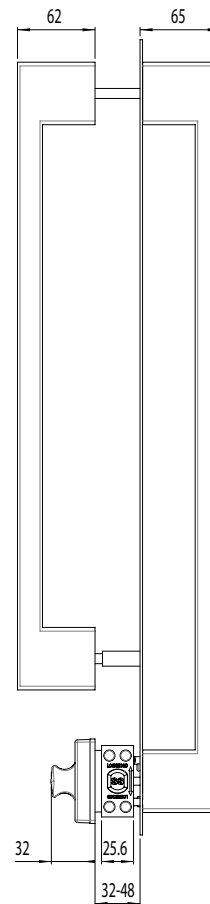
Exterior

Interior

## Pull Handle Lockset

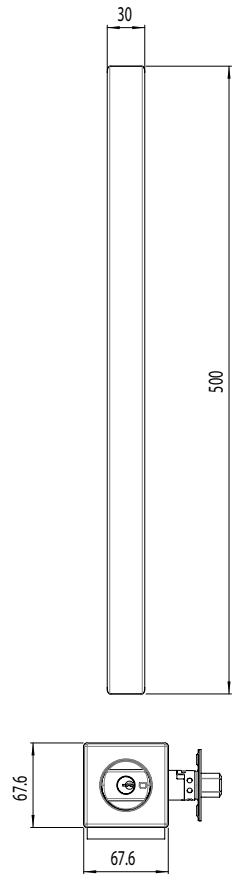


Exterior View



Door Thickness

Side View



Interior View



**DualSelect®**  
Turn the key for safety mode. Turn the key further to select secure mode.



**SafetyRelease™**  
Minimises the risk of being locked in.



**Corrosion Resistant**  
Successfully tested in accordance with AS2332.3.1:2001 neutral salt spray test.



**Kinetic Defence®**  
Bump and pick resistant.



**Counterbalance Bolt**  
Proportionally distributes the load between the door and door frame.



**2 Keys Included**  
Can be keyed alike to other Lockwood door locks.



**Door Thickness**  
32mm to 48mm.



**LockAlert®**  
Interior Indicator shows lock status at a glance.



**Safety Mode**  
Securely locked from outside and free from inside.



**Secure Mode**  
Securely locked from both inside and outside. For when nobody is home.



**Passage Mode**  
Free to enter from outside and free to exit from inside.



# Paradigm® Pull Handle Lockset - Deadlatch



Interior View - Single Cylinder Shown



The Australian designed Paradigm® Pull Handle Lockset expresses superior state-of-the art design featuring a contemporary style that delivers exceptional safety and security. The Paradigm® Pull Handle latching lockset is available in single and double cylinder variants.

Both variants are specifically designed for semi-commercial and apartment building applications. The locksets have been successfully tested up to 2 hours (depending on the type of doorset) on fire assemblies in accordance with Australian Standard AS1905.1-2005, part 1: Fire Resistant Doorset.

The Pull Handle lockset applies the innovative safety features from the Paradigm 005 Deadbolt into a latching lockset and is manufactured with high end 304 grade stainless steel that comes in a brushed satin finish.

## Key Features

- High security cut resistant Stainless Steel latch
- Brushed 304 grade Stainless Steel Pull Handle
- Concealed screw fixings for a neat and clean appearance
- Safety Release™ automatically unlocks internal knob upon key entry from outside\*
- LockAlert® indicator shows lock status at a glance\*

\*Only available in double cylinder variant

## Restricted Special Keying

Lockwood locks can be keyed to a number of controlled and/or specially keyed systems. These range from legally protected keys to protect against unauthorised duplication, which can also include specially designed key systems such as master key systems, which allow for different levels of mechanical access control.

Please refer to Lockwood Keying Catalogue or contact your local sales office or customer service for specific information.

## Product Details

<b>Dimensions</b>	External handle length - 600mm Internal handle length - 500mm Handle width - 30mm
<b>Backset</b>	60mm
<b>Latch</b>	High security cut resistant Stainless Steel deadlatch
<b>Cylinder</b>	5 pin tumbler mechanism Brass cylinder and brass barrel
<b>Door Thickness</b>	32-48mm 32-36mm require a spacer (included)
<b>Finishes</b>	Satin Stainless Steel (SSS)
<b>Materials</b>	304 Grade Stainless Steel
<b>Keying</b>	<ul style="list-style-type: none"> <li>• Supplied individually keyed with two keys per lock</li> <li>• 78,000 key combinations</li> <li>• Key blank KB2015P</li> </ul>

## Standards and Compliance



The Paradigm Pull Handle latching Lockset has been successfully tested up to 2 hours (depending on the type of doorset) on fire assemblies in accordance with Australian Standard AS1905.1-2005, part 1: Fire Resistant Doorset for commercial applications.

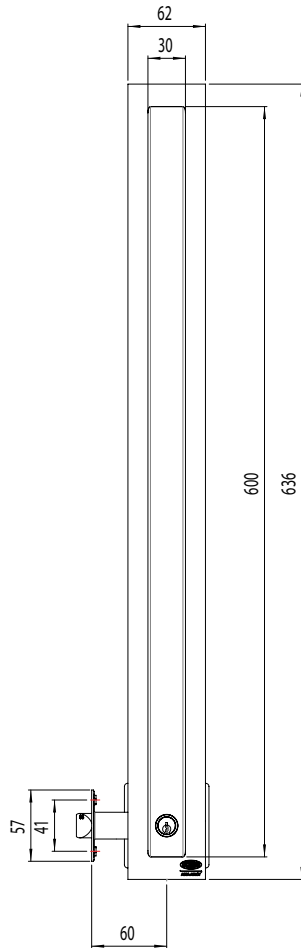
<b>SL7</b>	(Security) Australian Lock Standard (AS4145.2 - 2008)
<b>D8</b>	(Durability) Australian Lock Standard (AS4145.2 - 2008)
<b>C6</b>	(Corrosion) Australian Lock Standard AS4145.2 - 2008)
<b>K5</b>	(Key Security) Australian Lock Standard AS4145.2 - 2008)

# Paradigm® Pull Handle Lockset - Deadlatch

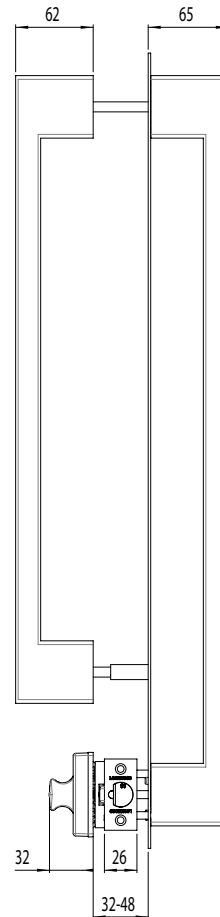
## Pull Handle Lockset



Exterior Interior Double Cylinder Interior Single Cylinder

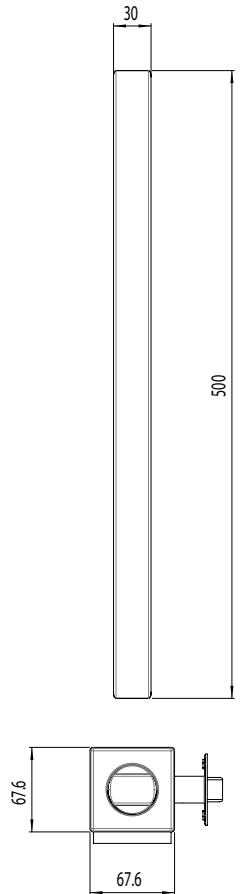


Exterior View



Door Thickness

Side View



Interior View (Single Cylinder)



**SafetyRelease™\***  
Minimises the risk of being locked in.



**Door Thickness**  
32mm to 48mm.



**LockAlert®\***  
Interior Indicator shows lock status at a glance.



**Kinetic Defence®**  
Bump and pick resistant.



**2 Keys Included**  
Can be keyed alike to other Lockwood door locks.



**Safety Mode**  
Securely locked from outside and free from inside.



**Corrosion Resistant**  
Successfully tested in accordance with AS2332.3.1:2001 neutral salt spray test.



**Secure Mode\***  
Securely locked from both inside and outside. For when nobody is home.

\* Not available for Single Cylinder variant

# Paradigm® Pull Handle Lockset - Dummy Handle



*Interior View - Double Cylinder Lockset  
with Dummy Handle Shown*

The Australian designed Paradigm® Pull Handle Lockset expresses superior state-of-the-art design featuring a contemporary style that delivers exceptional safety and security. The Paradigm® Dummy Handle is designed to be used alongside the Paradigm Pull Handle lockset in double door applications.

Manufactured with high end 304 grade Stainless Steel that comes in a brushed satin finish, the Paradigm Dummy Handle provides premium quality with contemporary styling for modern double door entrances.

## Key Features

- Brushed 304 grade Stainless Steel Pull Handle
- Concealed screw fixings for a neat and clean appearance

## Product Details

<b>Dimensions</b>	External handle length - 600mm Internal handle length - 500mm Handle width - 30mm
<b>Door Thickness</b>	32-48mm
<b>Finishes</b>	Satin Stainless Steel (SSS)
<b>Materials</b>	304 Grade Stainless Steel

# Paradigm® Pull Handle Lockset - Dummy Handle

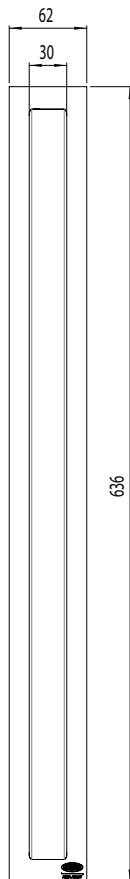


Exterior

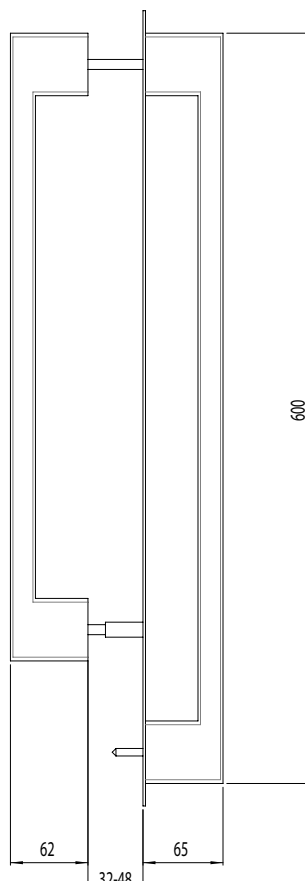
Interior

## Dummy Handle

(Non-functioning) for double door application.

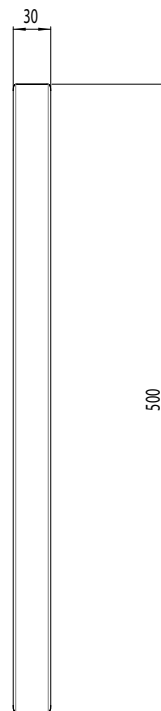


Exterior View



Door Thickness

Side View



Interior View



### Corrosion Resistant

Successfully tested in accordance with AS2332.3.1:2001 neutral salt spray test.



### Door Thickness

32mm to 46mm.

# Paradigm® Pull Handle Locksets

## Ordering Procedure

Sample part number 005/DPHBSSS5PK is made up of several sections. Choose your product by selecting an option from each section.

## Paradigm® Pull Handle Locksets

Series	Type	Finish	Keying
005	DPHL	SSS	5PK

Series
Paradigm® Pull Handle 005

Type
Double Cylinder Deadbolt <span style="float: right;">DPHB</span>
Double Cylinder Deadlatch <span style="float: right;">DPHL</span>
Single Cylinder Deadlatch <span style="float: right;">SPHL</span>
Dummy Handle <span style="float: right;">PHD</span>

Finish
Satin Stainless Steel <span style="float: right;">SSS</span>

Keying Options
Keyed to Differ (Standard)
Special Keying-Residential Keyed Alike 5P <span style="float: right;">5KA</span>
Keyed Alike 6P <span style="float: right;">6KA</span>
Project Keyed 5P <span style="float: right;">5PK</span>
Project Keyed 6P <span style="float: right;">6PK</span>
Restricted Profile 5P <span style="float: right;">5RP</span>



M&B



**M&B**

QUALITY BUILDING PRODUCTS

QUALITY BUILDING PRODUCTS

**BAYSWATER**

144 Beechboro Rd South  
Bayswater, Perth  
+61 8 9473 5100

**BUNBURY**

50 McCombe Road  
Bunbury  
+61 8 9724 8900

**GERALDTON**

315 Place Road  
Geraldton  
+61 8 9960 5000

**ALBANY**

68 Cockburn Road  
Albany  
+61 8 9844 5200

**BUSSELTON**

9 Trumper Drive,  
Busselton  
+61 8 9752 7900

**MANDURAH**

25 Hampton Street  
Mandurah  
+61 8 9583 8000

[mbsales.com.au](http://mbsales.com.au)