

Keyless Entry



We take the worry out of
protecting what's valuable to you.
Lockwood: *no worries*®

LOCKWOOD

ASSA ABLOY

25YEAR

**MECHANICAL
WARRANTY**



001Touch Plus™
Smart Deadlatch
page 3



Lockwood SDL™
Digital Deadbolt
page 7



Keyless Wireless
Digital Deadbolt
page 9



Code Handle
Left & Right Handed Keyless
Lockset
page 13



002 Digital DX
Deadlatch
page 15



530 Digital DX
Entrance Set
page 17



**Selector® 3772 MkII
DX Digital**
DX Digital Mortice Locks
page 19



**Selector® 3772 MkII
DX Digital**
Key Override DX Digital
Mortice Locks
page 22

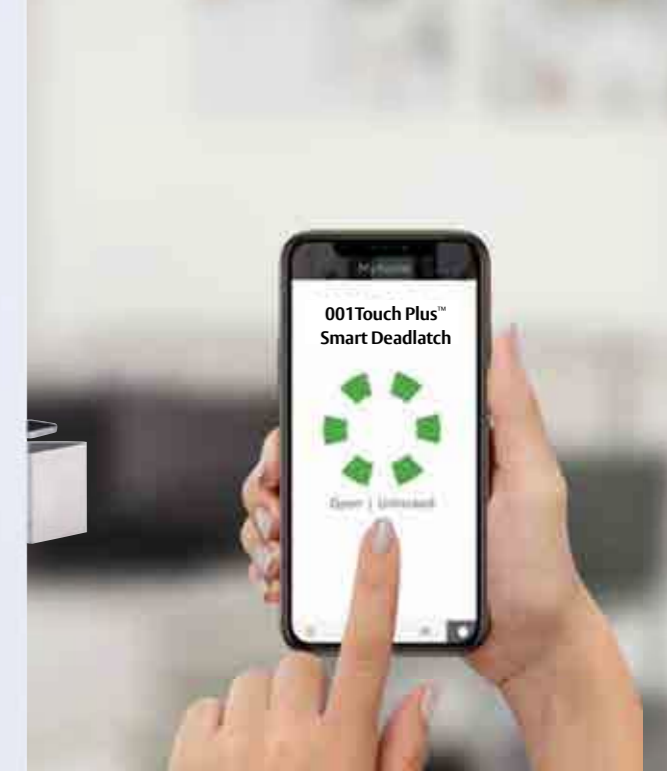


**Selector® 3782
DX Digital**
Short Backset DX Digital
Mortice Locks
page 25



**Selector® 3782
DX Digital**
Short Backset Key Override
DX Digital Mortice Locks
page 28

001Touch Plus™ Smart Deadlatch



For over 40 years Lockwood's iconic 001 Double cylinder Deadlatch has been securing homes in Australia. Now you can upgrade your mechanical 001 Deadlatch to a smart solution.

Connected by Yale Home App*

The 001 Touch Plus Smart Deadlatch, connected by Yale Home*, opens up your home to a range of smart lock features. You can control your lock using a PIN code, a Key Tag, or simply from your mobile devices. Using varying technologies including Bluetooth and GPS as well as the Yale Home App, the auto unlock function unlocks your door as you approach. With 24/7 lock activity, you can see who and when people accessed your lock, when your mobile is connected to the lock via Bluetooth. The DoorSense™ position sensor checks the status of your door and tells you if your door is open or closed.

Ideal External Door Lock

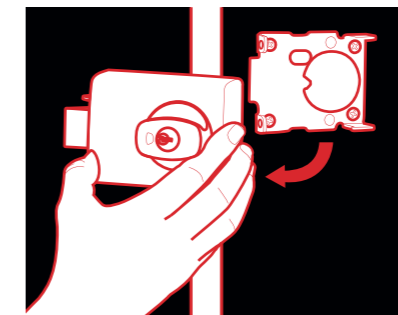
The Lockwood 001Touch Plus™ operates with a Deadlatch and is suitable for use as a standalone lock or with an additional latch and lever/knob.

Remote Access and Works with

The 001Touch Plus Smart Deadlatch can be upgraded with the Yale Connect Plus Wi-Fi Bridge (sold separately) to access your lock remotely, as well as voice assistant capability - easily integrate it into your Google, Samsung or Alexa enabled smart home devices.

Retrofitable

Compatible with most 60mm backset deadlatches**



Product Details

001Touch Plus	Chrome Plate: LWL-001TDDL-CPDP Matte Black: LWL-001TDDL-MBKDP
Backset	60mm
Battery Cover	High quality ABS plastic
Door Thickness	32mm to 60mm
Finishes	Matte Black (MBK) and Chrome Plate (CP)
Keyfob	RFKF10
Key Pad Case	High purity zinc alloy
Latch	Stainless steel 18mm projection

Matt Black exclusive to Bunnings Only

*For more information on Yale Home App, visit yalehome.com.au

**The 001Touch Plus Smart Deadlatch is designed to replace or upgrade other Lockwood locks, such as the Lockwood 001, 002 deadlatch, and 100, 201, 211, and 213 Nightlatch and stream latches

001Touch Plus™ Smart Deadlatch

Secure Mode

Secure mode gives the option to lock the 001Touch™ internally with a key. This secures the door on both sides with the ability to unlock the door with Yale Home App, a PIN code or Keytag externally.

User Code that Expires*

A temporary code can be programmed to last from three hours to two weeks. This is ideal when a tradesman needs access for a few hours or when a neighbour is house sitting.

Visual Guide for Programming

For added convenience, an illuminated guide will assist in the programming of key features.

Low Battery Alarm

The Low Battery indicator on the front of the lock illuminates when battery level is low. You will also receive the low battery warning from Yale Home App and email once you connected to Yale Home App.

Smart Memory

The settings, codes and key cards will remain programmed in the lock in the event the batteries are depleted.

Emergency Battery Connection

9V battery backup terminal is at the front of the lock to gain access, if the batteries are flat.

001Touch Plus™ Smart Deadlatch

Product Features with/without connecting with Yale Home App



	Lockwood 001Touch Plus	Lockwood 001Touch Plus + Home Module	Description
4 - 10 digit PIN code	Yes (20 codes max.)	Yes (unlimited) register via Yale Home App	Unlimited User/Temporarily code with any period of valid time can be set up from Yale Home App when the Home Module is connected
Temporarily PIN code for visitor	Yes (1 code max.)	Same as above	Same as above
Key Tag (includes two tags)	Yes	Yes (unlimited) and only can be registered via Yale Home App	Unlimited Tags can be registered when the Home Module is connected
Touchscreen with backlit Keypad	Yes	Yes	
Battery operated	Yes	Yes	
Low battery indicator with emergency battery connection	Yes	Yes	Low battery warning will be received from the Yale Home App
User codes and settings remain if batteries are replaced	Yes	Yes	
Local Access (lock and unlock) via Bluetooth*	No	Yes	
Auto-unlock/Auto-lock*	No	Yes	
DoorSense™ (Door position sensor)*	No	Yes	
Audit Trails*	No	Yes	
3 minute lock out if code is entered incorrectly 5 times	Yes	Yes	
Tamper alarm	Yes	Yes	
Change PIN re-lock time	Yes	Yes	If the Yale Home App is used as a credential to unlock the door, then the re-lock time will always be 7 seconds.
Auto Re-lock On/Off	Yes	Yes	

NOTE: You can use a mix of up to 20 PIN codes, Key Tags when Yale Home Module is not connected.

To enable mobile app functionality we highly recommend to connect your lock with Yale Home App immediately after setting up the master code.

For security reason when the lock get registered with Yale Home App, the lock enables 'Home App mode' and preventing the user to register the credentials from keypad (such as: add/remove user code / key tag except the master code).

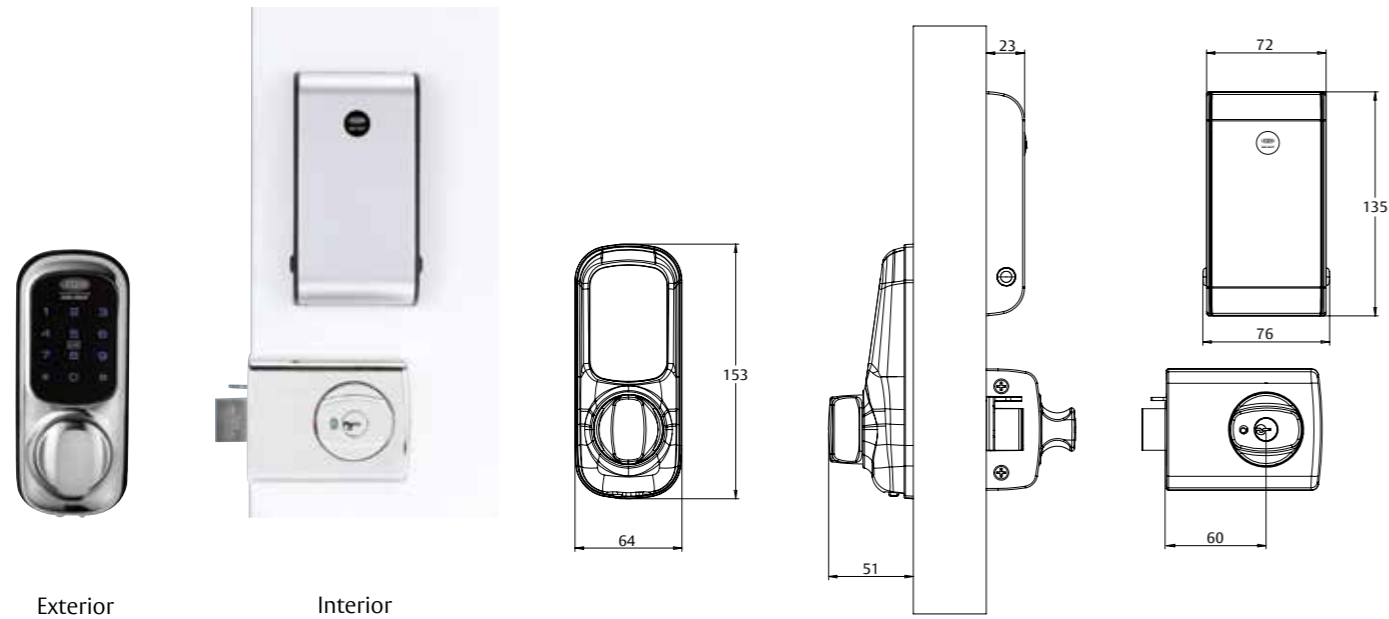
All existing credentials (user code / key tag) will be erased as initialisation except the master code.

It is HIGHLY RECOMMENDED to register the credentials through Yale Home App only.

*Functions are local access only, the Yale Connect Bridge is sold separately to achieve remote control and access.












*Check the next page for details on the feature differences with and without connecting to the Yale Home App

001Touch Plus™ Smart Deadlatch



Exterior

Interior

-  **Digital Touch Screen**
Illuminated keypad.
-  **Proximity Tag**
2 Key Tag included.
-  **SafetyRelease™**
Minimises the risk of being locked in.
-  **Retrofittable**
Replace your existing 001 Deadlatch™.
-  **LockAlert®**
Interior Indicator shows lock status at a glance.
-  **Emergency Battery Connection**
In the event your batteries are depleted.
-  **Safety Mode**
Securely locked from outside and free from inside.
-  **Batteries Included**
-  **Secure Mode**
Securely locked from both inside and outside. For when nobody is home.
-  **Passage Mode**
Free to enter from outside and free to exit from inside.
-  **Deadlatch Bolt**
Stainless steel 18mm projection.
-  **2 Keys Included**
Can be keyed alike to other Lockwood door locks.

Lockwood SDL™ Deadbolt

Exclusive to Bunnings



Exclusive to Bunnings Only

No cylinder means no lost keys and no pick and bump break-ins, simply lock and unlock your door with sleek touchscreen keypad. Create unique PIN codes to share with your family and friends for ultimate convenience.

The Lockwood SDL™ Deadbolt can be upgraded with a Yale Home Module to integrate seamlessly with your home automation or alarm systems. This deadbolt lets you enjoy the convenience of 100% key-free unlocking.

It is ideal for both new build with a lockwood lever* to complete your entrance solution or retrofit your existing deadbolt (54mm bore hole) in minutes with just a screwdriver.

Key Features

- Simple installation
- Automatic Re-locking
- Create up to 25 unique PIN codes
- Keyless entry
- Suitable for standard 54mm timber bore hole
- Adjustable 60-70mm backset deadbolt
- 4 x AA Alkaline Batteries
- 9V battery backup

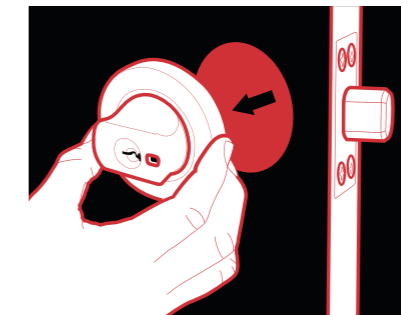
Works with your Smart Home

The Lockwood SDL™ Deadbolt can be upgraded with a Yale Module** (Yale Home, Z-Wave Plus and ZigBee*) to integrate into most home automation systems so that you can control and monitor the lock from anywhere in the world.



Retrofittable

Fits majority of doors with 54mm hole



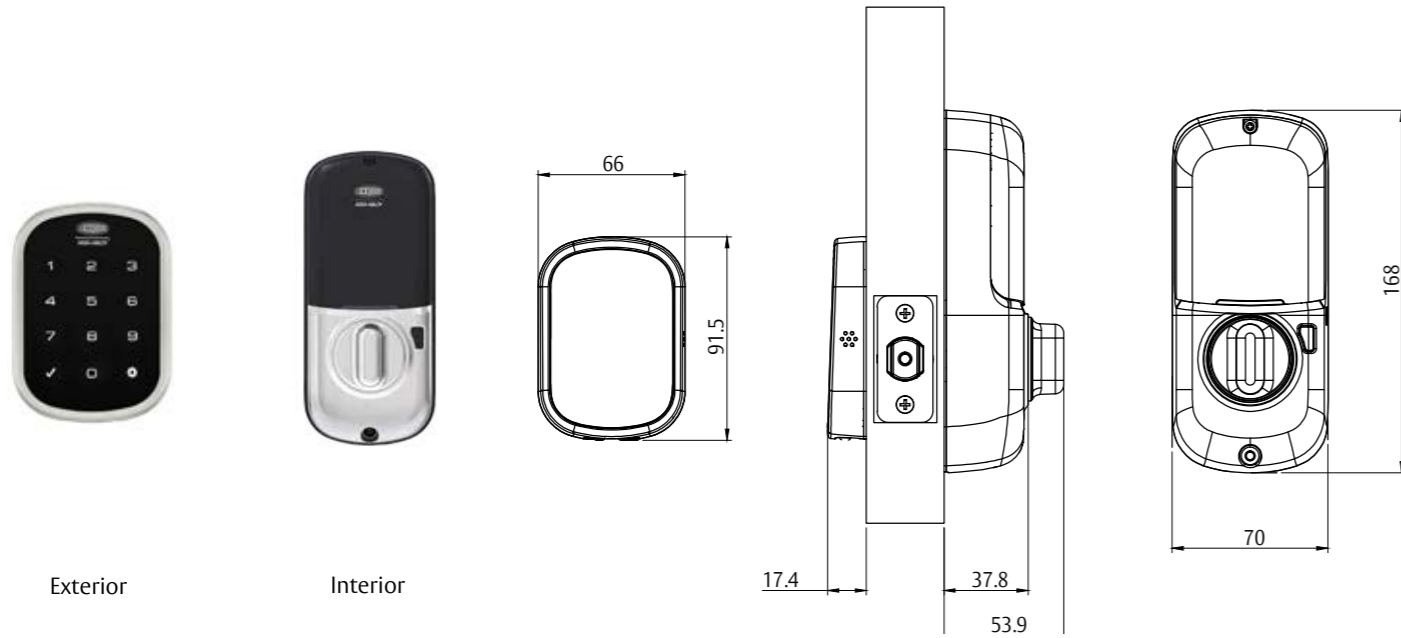
*Lever is sold separately
**Modules are sold separately

Product Details

Backset	Adjustable 60mm to 70mm
Back Plate	Hardened steel
Bolt	Zinc alloy 25mm projection
Description	Lockwood SDL™ Deadbolt
Door Thickness Range	35mm to 57mm
Finish	Satin Chrome (SC)
Front & Back Escutcheon	High purity zinc alloy
Installation	25mm latch hole and 54mm lock hole
Part Number	LWL-DDB1-SC Lockwood SDL™ Deadbolt Modules YD-MD01 Yale Home module YRD-ZBM-1 Yale Assure Zigbee Network Module YRD-ZWM-1 Yale Assure Z-Wave Network Module

Lockwood SDL™ Deadbolt

Exclusive to Bunnings



Compatible with Yale Home app
With the addition of the Yale Home Module* you can have total control over your lock through the Yale Home App.



Emergency Power Supply
When the batteries are completely flat, you can easily supply emergency power to the lock with a standard 9V battery.



Pin Codes
One master pin code and 25 user pin codes.



Door Thickness
35mm to 57mm.



Voice Guided Programming
Will audibly provide step by step programming instructions.



Retrofittable
Fits majority of doors with 54mm hole.



Low Battery Warning
When battery power is below 20%, the low battery icon will begin flashing. *Batteries included.

Keyless Wireless Digital Deadbolt



The Lockwood Keyless Wireless Digital Deadbolt offers the flexibility of a keyless entry locking solution whilst providing wireless ZigBee (HA1.2) network connectivity to integrate into building automation solutions.

Key Features

- One touch locking
- 250 user codes (when Networked)
- 9V Battery terminals for emergency
- Networkable

The product fits majority of doors with a 54mm hole, making it ideal for new doors or replacement for an existing door lock.

Wireless Network Connectivity

This product can be controlled remotely by smart phones, tablets and web-enabled devices once it has been integrated with home/ building automation systems using a ZigBee wireless network module.

Illuminated Touch Screen Keypad

The touch screen keypad has no mechanical buttons which means no trace of your secret pin code.

Pin Code Allowance

One master pin code will manage up to 250 user codes when used with a wireless network module or 25 user codes when not networked.

Voice Guided Programming

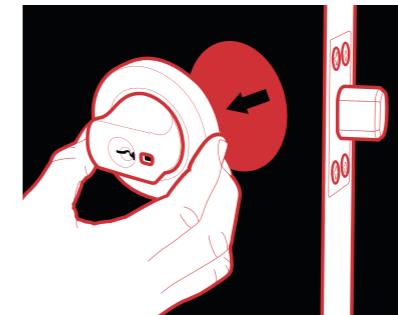
Voice Guided Programming will audibly provide step by step programming instructions.

One Touch Locking

Conveniently lock your door by simply touching the keypad or use the automatic locking function.

Retrofittable

Fits majority of doors with 54mm hole.



Product Details

Backset	Adjustable 60mm to 70mm
Back Plate	Hardened steel
Bolt	Zinc alloy 25mm projection
Description	Lockwood Keyless Wireless Digital Deadbolt
External thick doors	Rubber weather resistant gasket (37mm - 50mm)
Finish	Satin Chrome (SC)
Front & Back Escutcheon	High purity zinc alloy
Installation	25mm latch hole and 54mm lock hole
Internal thin doors	Plasti gasket (32mm -36mm)
Part Number	LKDBW/SC/ZB -Lockwood Keyless Wireless Digital Deadbolt ZigBee

Keyless Wireless Digital Deadbolt

Keyless Wireless Digital Deadbolt

Low Battery Warning

When battery power is below 30%, the low battery icon will begin flashing.

Emergency Battery Terminals

In the event of your battery going flat there is a 9V battery terminal that will prevent you from being locked out.

Tamper Alert

An audible alarm sounds if attempting to forcibly remove outside lock from door.

Automatic Re-locking

This selectable feature will automatically extend the bolt into the locking position after a 30 second delay.

What Do I Need?

Building	Residential home or small business
Lock	Lockwood Keyless Wireless Digital Deadbolt
Lock Network Module	Lockwood ZigBee HA1.2 Network Module
Hub	ZigBee HA1.2 Compatible
Modem	Standard WIFI modem
Internet	Internet access via your telecommunications provider
Connectivity	PC, notebook, tablet or smartphone
Software	Home Automation Software required for PC, Notebook, Tablet or Smartphone
Other	Other devices to be controlled within the building need to be networked to the ZigBee HA 1.2

Rebate Kit Accessories

Part Number	Description
7579SSS	Universal Rebate Kit
7574SSS	Strike Square Corner

Safety

Never Carry Keys

Keyless PIN code access ensures security whilst away and allows people entrusted with a PIN code to gain entry with the simple push of a button.

Automatic locking ensures your family and valuables are constantly protected as the door is locked after a 30 second delay when either entering or leaving the property.

Security

Resting Easy All Night Long

Privacy mode provides ease of mind by disabling the keypad to ensure that no one can enter the property from outside while you are sleeping, with the exception of close family entrusted with a key.

Remote Management

Remote Access Control

The Wireless Digital Deadbolt lock status can be viewed and controlled via a PC, Notebook, Tablet or Smartphone. Simply lock or unlock your door from anywhere in the world.

Receive a text message or email alert when the door is accessed to know that your loved ones have arrived home safely (when integrated with Remote Management Software).

Available functions may vary based on your home automation control software.

Convenience

Trigger Other Devices

Integration with Remote Management Software will enable you to turn on other devices when you open the door using your unique PIN code including:

- Unlock all doors
- Turn on the interior house lights
- Turn on the TV
- Adjusts the thermostat to 21°C
- Close the curtains

Note: Available functions may vary based on your home automation control software.

Control

Building Automation & Integration

The Lockwood Wireless Digital Deadbolt has been designed to easily integrate with a variety of wireless building control and security systems when used with ZigBee HA1.2 wireless network modules. Remote management puts you in control of protecting what is valuable to you from anywhere and at anytime.

User Interface Functionality

View/Change Lock Status

The lock status can viewed or changed on a Smart Phone, Tablet or PC. From anywhere in the world, remotely unlock the door for a neighbour or a caregiver.

Setup/Management

Set-up each lock and control the management of users on every door where a Lockwood Wireless Digital Deadbolt is installed.

History

View the history of who comes and goes at each door.

Trigger Other Devices

Use the lock to trigger other devices within the building such as lights, thermostat, alarm system and more.

Text/Email Alerts

Receive text or email alerts to inform who has entered the building and at what date and time.

Available functions may vary based on your home control software.

Controlling your lock from anywhere in the world

Monitoring

Control

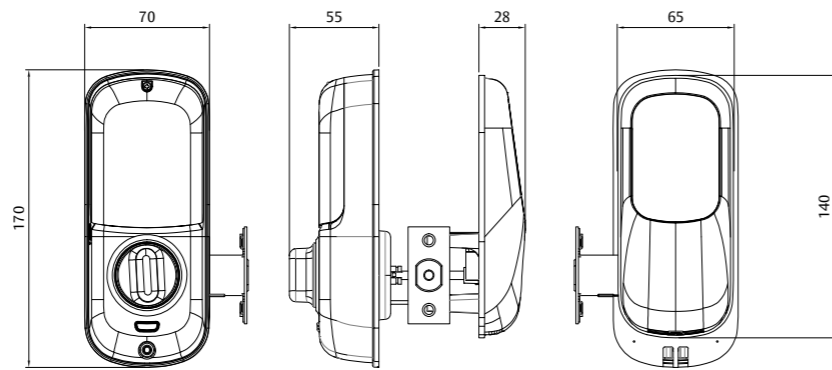


Keyless Wireless Digital Deadbolt



Exterior

Interior



Wireless Network
ZigBee HA1.2 wireless network modules can integrate this product with building automation systems.



Emergency Power Supply
When the batteries are completely flat, you can easily supply emergency power to the lock with a standard 9V battery.



Pin Codes
One master pin code and 250 user pin codes.



Door Thickness
32mm to 50mm.



Voice Guided Programming
Will audibly provide step by step programming instructions.



Retrofittable
Fits majority of doors with 54mm hole.



Low Battery Warning
When battery power is below 30%, the low battery icon will begin flashing. *Batteries included.



Tapered Bolt
For ease of alignment to strike.

Code Handle Keyless Lockset



Lockwood's innovative door handle with integrated electronic security, offers simple and effective keyless locking, without compromising aesthetics.

Designed to enable conveniently controlled access to a door with easy installation. Code Handle is ideal for offices, store rooms or a study at home.

The Code Handle provides flexible locking options for doors that need to be always locked or alternatively can be left open to provide free access during the day and locked at night. The Code Handle is recommended for indoor use only.

Key Features

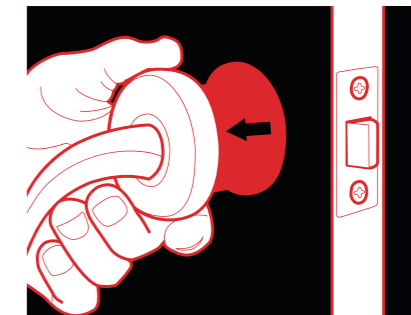
- Lever handle with integrated code lock
- Program up to 9 User codes, 4-6 digits in length
- Keypad access control lever
- Supplied with Lockwood 530 60mm latch
- Easy to install
- Ideal for retrofit installations
- Programmable administration code for setting lock operation and user programming
- Manual or automatic locking
- Passage mode
- Code lockout after 5 incorrect attempts
- Durable stainless steel handles
- Left and right handed versions

Product Details


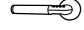
Backset	60mm (70mm latches available)
Door Thickness	32 to 55mm
Finish	Satin Pearl with Stainless Steel (SP) (SS)
Installation	25mm latch hole and 54mm lock hole
Latch	Brass 13mm projection deadlatch

Retrofittable

Fits majority of doors with a 54mm hole. Designed to provide convenient keyless access to a door by replacing the existing door handle.

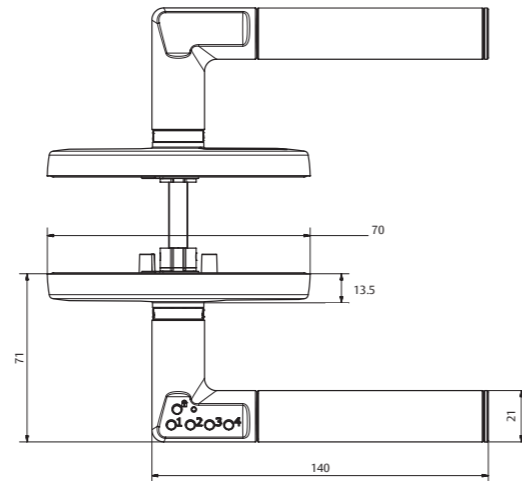


Code Handle Keyless Lockset

Code Handle Keyless Lockset		
	Left Hand Code Handle	8816LSS
	Right Hand Code Handle	8816RSS
	CODE HANDLE LATCH 70MM BACKSET	8823-70



Exterior



Door Thickness
32-55mm.



Quick Installation
Fitting instructions included



Batteries Included
30,000 operations before replacement.

002 Digital DX Deadlatch



The Lockwood Digital DX Locksets provide a mechanical method of keyless entry and are designed to control access into commercial areas, especially when frequent combination changes are needed to maintain security.

For extra security when under forced attack, the inbuilt clutching mechanism allows the outside knob to rotate without operating or damaging the lock.

The factory set 5 digit code is easily changed to any 4, 5 or 6 digit code using the code changing kit provided with each lock.

As the digital lockset utilizes mechanical operation, electrical wiring is not required.

002 Digital DX Locks suit right or left hand opening in doors. Versions for outward opening doors or doors with metal frames sold separately.

Key Features

Outside Function

Press the C button, enter the correct code, then turn the knob to unlock the door. Upon releasing the turn knob the code is automatically cancelled.

Inside Function

Opened by knob/lever at all times.

Hold-Back Function

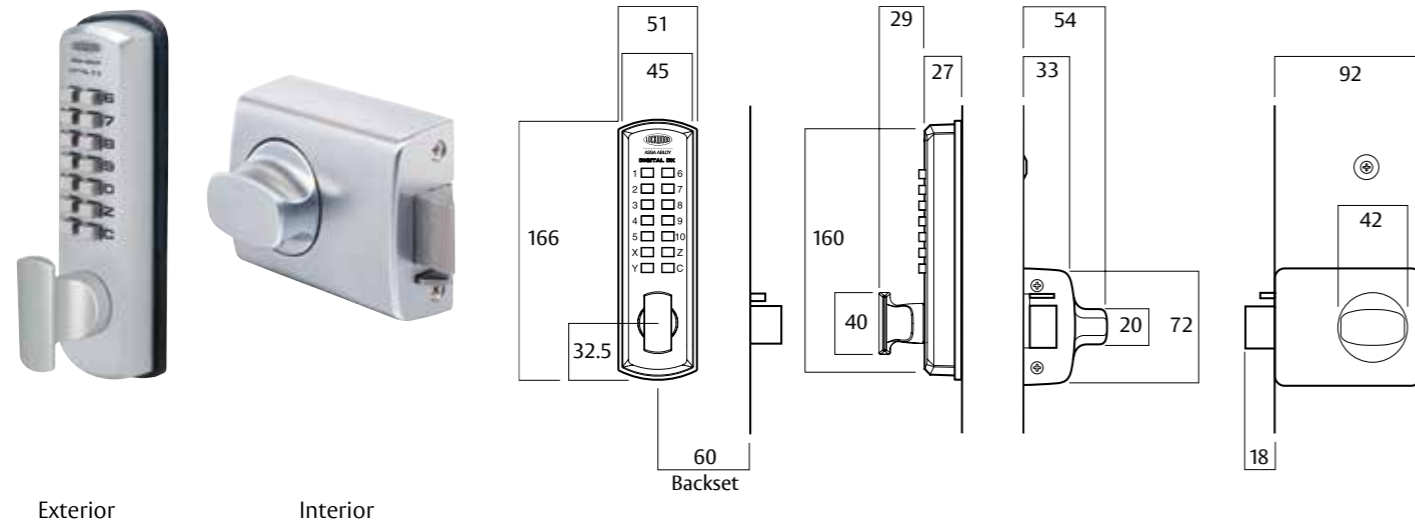
Bolt hold-back function activated by rotating inside knob/lever clockwise, past 90 degrees.

Product Details

Backset	60mm
Door Thickness	32mm to 45mm
Finish	Satin Chrome Brushed* (SC)
Internal Case Assembly	High purity zinc alloy, 92mm wide, 72mm high, 54mm projection
Latch	18mm projection, stainless steel

* Finish denotes the finish on the digital code pad, the 002 lock body is supplied in satin chrome pearl.

002 Digital DX Deadlatch



Hold Back
Bolt hold-back function activated by rotating inside knob/lever clockwise, past 90 degrees.

530 Digital DX Entrance Set



The Lockwood Digital DX Locksets provide a mechanical method of keyless entry.

For extra security when under forced attack, the inbuilt clutching mechanism allows the outside knob to rotate without operating or damaging the lock.

The factory set 5 digit code is easily changed to any 4, 5 or 6 digit code using the code changing kit provided with each lock.

Lockwood Digital DX Locksets are designed to control access into commercial areas, especially when frequent combination changes are needed to maintain security.

As the digital lockset utilizes mechanical operation, electrical wiring is not required.

530 Digital DX Locks suit right or left hand doors opening inward and outward.

Key Features

Outside function

Press the C button, enter the correct code, then turn the knob to unlock the door. Upon releasing the turn knob the code is automatically cancelled.

Inside function

Opened by knob/lever at all times.

Product Details

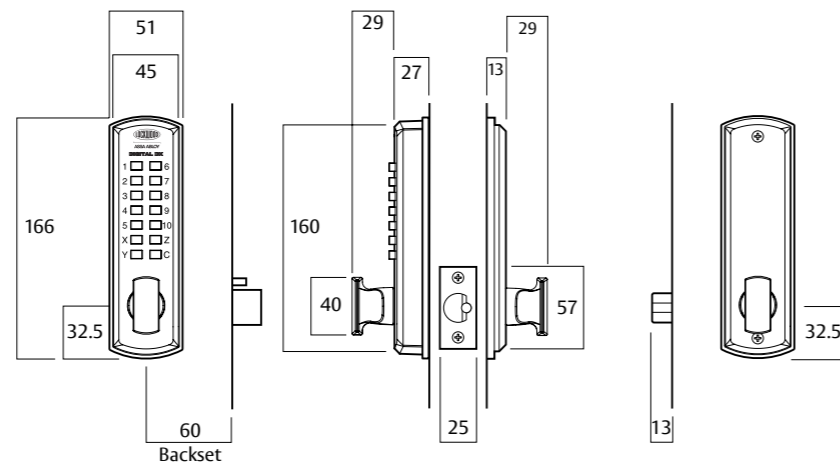
Backset	60mm, 70mm and 1277mm latches available separately on application
Door Thickness	32mm to 45mm
Finishes	Satin Chrome Brushed (SC)
Latch	Brass 13mm projection deadlatch

* Options: Also available in double keypad version, which provides a keypad on each side of the door.

530 Digital DX Entrance Set



Interior Exterior



Fire Rated

Successfully tested to 2 hours on fire door assemblies in accordance with Australian Standard AS 1905.1 2005 - Part 1, Fire Resistant Doorsets.

Selector® 3772 MkII DX Digital Mortice Locks



Description

Lockwood DX Digital Locksets provide a mechanical method of keyless entry and are designed to control access into commercial areas.

For extra security when under forced attack, the inbuilt clutching mechanism allows the outside turnknob to rotate without operating or damaging the lock.

The factory set 4 digit code is easily changed to any 4, 5 or 6 digit code using the code changing kit provided with each lock.

As the digital lockset utilizes mechanical operation, electrical wiring is not required.

Outside Function

Press the C button, enter the correct code, then turn the turnknob to unlock the door. Upon releasing the turnknob the code is automatically cancelled.

Warning:

The Latching Adaptor for Selector 3770 Series MkII is not backwards compatible. Therefore, 3770M1-ADAPTOR **MUST** be used for Selector Mortice Lock MkI and 3770M2-ADAPTOR **MUST** be used for Selector Mortice Lock MkII.

Product Details

Backset	Available in 60, 89 and 127mm backsets.
Door Thickness	32mm to 50mm
Finish	Codepad: Satin Chrome Brushed (SC) Mortice Lock: Stainless Steel (SS)
Codepad Assembly	High purity zinc alloy, 45mm wide, 164mm high, 52mm projection
Latch	Stainless steel with 15mm projection

Door Furniture (Lockwood 1800 and 2800 Series) must be ordered separately.

Inside Function

Opened by lever handle at all times.

Holdback Function

A key operated holdback function is available as a lock setting and requires the inclusion of an internal cylinder.

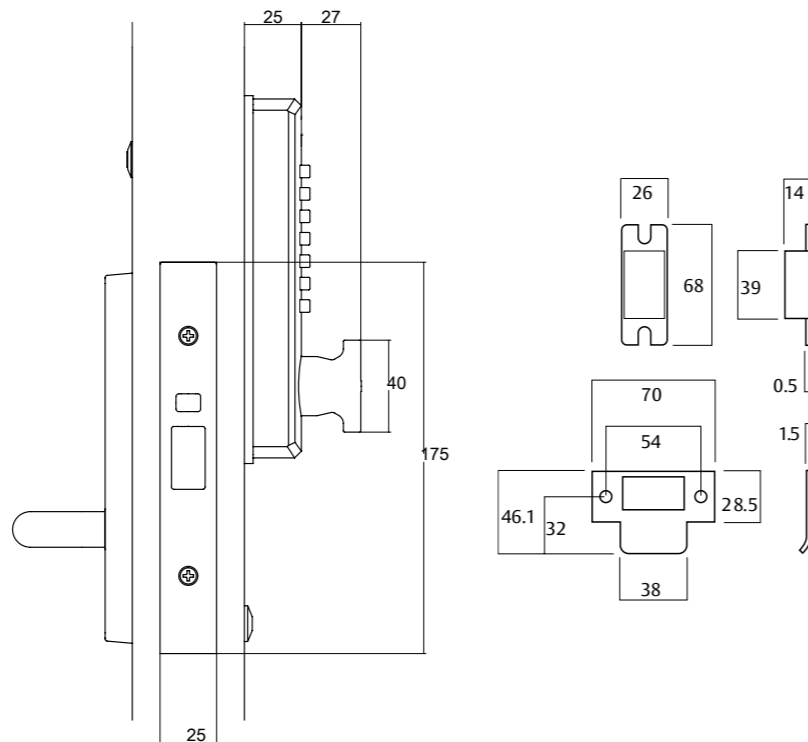
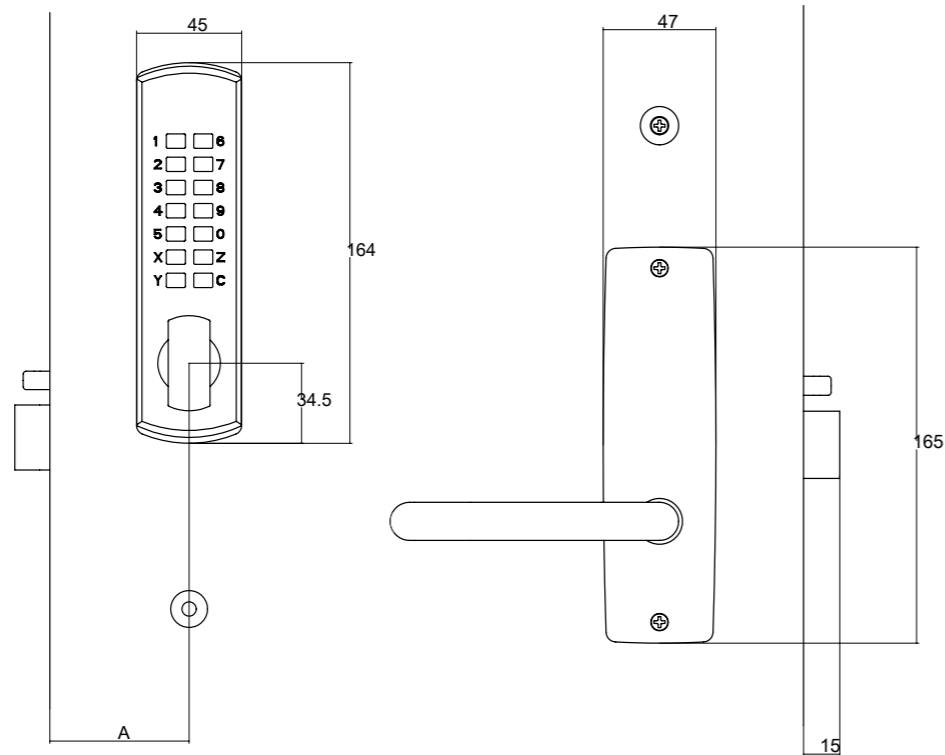
Selector® 3772 MkII DX Digital Mortice Locks



Exterior



Interior



Selector® 3772 DX Digital Mortice Locks

Part Number	3772DX	4772DX	5772DX
Dimension A	60	89	127

Note: Order by specifying 3772SS primary lock and 3772-DXKITSC.
For the 3772SS MkI primary lock, 3772M1-DXKITSC conversion kit must be ordered.

Selector® 3772 MkII DX Digital Mortice Locks

DX Digital Mortice Lock

Part Number 3772DX-

DX Digital outside, plate furniture inside.
Outside: Opened by DX Digital with code.

Inside: Opened by handle at all times.

This function requires the locking bar to be positioned in the locked position once lock is set.

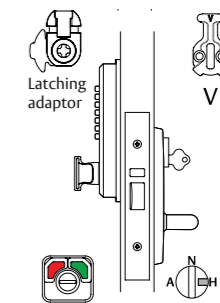
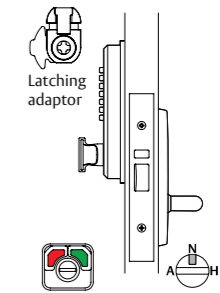
DX Digital Mortice Lock with Holdback by Cylinder#

Part Number 3772DXVH

DX Digital outside, plate furniture and cylinder inside.

Outside: Opened by DX Digital with code.

Inside: Opened by handle at all times. Holdback activated by key.
Key retracts latch after releasing holdback.



Notes:

All drawings shown are in right hand configuration. Part numbers shown above are for 60mm backset lock, if 89mm is required substitute 3 for 4 i.e. 4772, or if 127mm lock is required, substitute 3 for 5 i.e. 5772

#Holdback - Latch bolt can be held within the lock. **Holdback must not be activated on fire doors.**
For questions concerning our fire rated products, their specifications and their utilization please contact ASSA ABLOY or relevant Fire Door manufacturer.

Warning:

The MkI Latching Adaptor (now part number 3770M1-ADAPTOR) can only be used with the MkI Selector Mortice Locks and the MkII Latching Adaptor (3770M2-ADAPTOR) can only be used with MkII Selector Mortice Locks.

Legend

Hub Setting	
Lock Function Setting	
Cam or Adaptor	

Selector® 3772 MkII Key Override DX Digital Mortice Locks



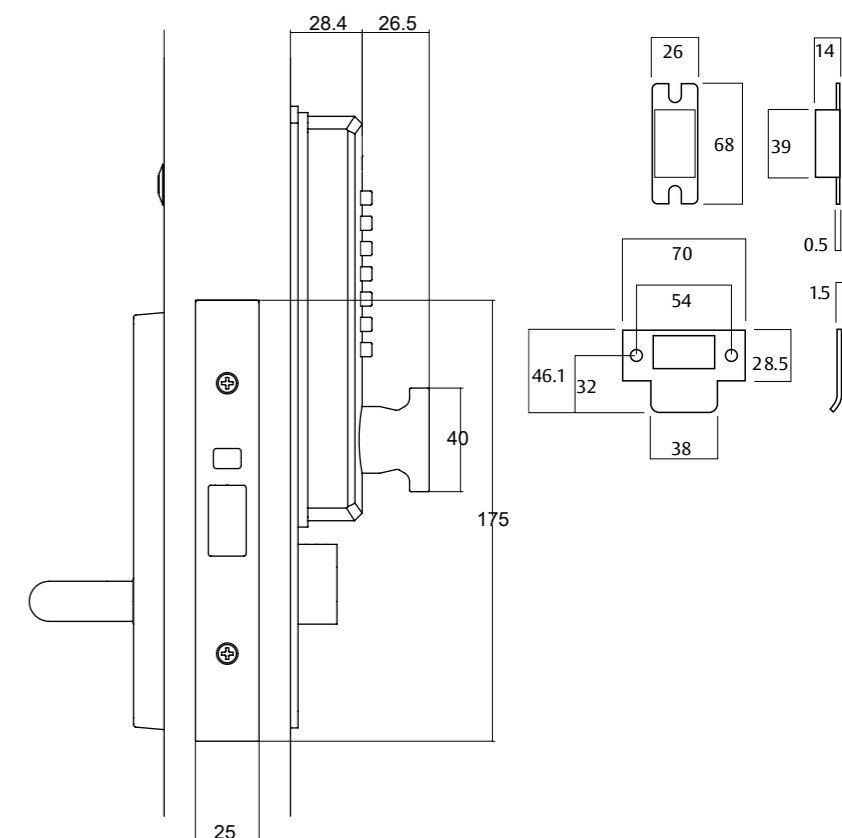
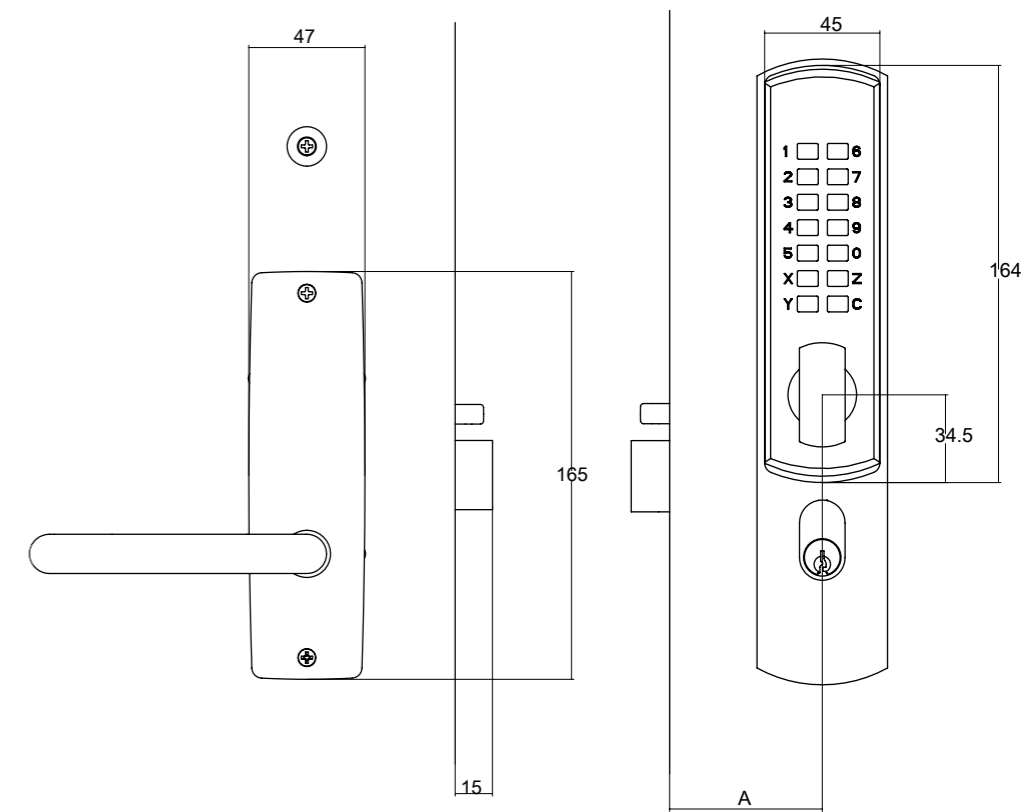
Selector® 3772 MkII Key Override DX Digital Mortice Locks



Exterior



Interior



Selector® 3772 Key Override DX Digital Mortice Locks

Part Number	3772DXKO	4772DXKO	5772DXKO
Dimension A	60	89	127

Note: Order by specifying 3772SS primary lock and 3772-DXKOKITSC. Cylinders must be ordered separately.

For 3772SS MkI primary lock, 3772M1-DXKOKITSC must be ordered.

Product Details

Backset	Available in 60, 89 and 127mm backsets.
Cylinder	Pin tumbler mechanism with oval brass cylinder
Door Thickness	32mm to 50mm
Finish	Codepad: Satin Chrome Brushed (SC) Mortice Lock: Stainless Steel (SS)
Latch	Stainless steel with 15mm projection

Door Furniture (Lockwood 1800 and 2800 Series) and lower cylinder must be ordered separately.

Inside Function

Opened by lever handle at all times.

Holdback Function

A key operated holdback function is available as a lock setting and requires the inclusion of an internal cylinder.

Description

Lockwood DX Digital Locksets provide a mechanical method of keyless entry and are designed to control access into commercial areas.

For extra security when under forced attack, the inbuilt clutching mechanism allows the outside turnknob to rotate without operating or damaging the lock.

The factory set 4 digit code is easily changed to any 4, 5 or 6 digit code using the code changing kit provided with each lock.

As the digital lockset utilizes mechanical operation, electrical wiring is not required.

Outside Function

Outside: Press the C button, enter the correct code, then turn the turnknob to unlock the door. Upon releasing the turnknob the code is automatically cancelled. The key override pin tumbler cylinder enables quick access by key for authorities such as the fire brigade or those who need to carry a master key to access all rooms of a building.

Warning:

The Latching Adaptor for Selector 3770 Series MkII is not backwards compatible. Therefore, 3770M1-ADAPTOR **MUST** be used for Selector Mortice Lock MkI and 3770M2-ADAPTOR **MUST** be used for Selector Mortice Lock MkII.

Selector® 3772 MkII Key Override DX Digital Mortice Locks

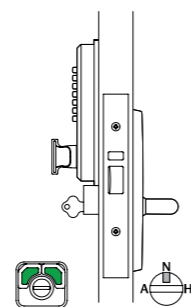
Key Override DX Digital Mortice Lock

Part Number 3772DXKO-

DX Digital and lower cylinder outside, plate furniture inside.

Outside: Opened by DX Digital with code or key at all times.

Inside: Opened by handle at all times.



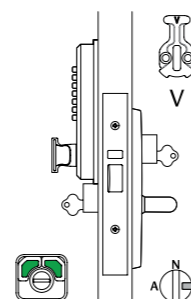
Key Override DX Digital Mortice Lock with Holdback by Cylinder#

Part Number 3772DXKOVH

DX Digital and lower cylinder outside, plate furniture
and cylinder inside.

Outside: Opened by DX Digital with code or key at all times.

Inside: Opened by handle at all times. Holdback activated by key.
Key retracts latch after releasing holdback.



Notes:

All drawings shown are in right hand configuration.

Part numbers shown above are for 60mm backset lock, if 89mm is required substitute 3 for 4 i.e. 4772, or if 127mm lock is required, substitute 3 for 5 i.e. 5772

#Holdback - Latch bolt can be held within the lock. **Holdback must not be activated on fire doors.** For questions concerning our fire rated products, their specifications and their utilization please contact ASSA ABLOY or relevant Fire Door manufacturer.

Warning:

The MkI Latching Adaptor (now part number 3770M1-ADAPTOR) can only be used with the MkI Selector Mortice Locks and the MkII Latching Adaptor (3770M2-ADAPTOR) can only be used with MkII Selector Mortice Locks.

Legend

Hub Setting



Lock Function Setting



Cam or Adaptor



Selector® 3782 Short Backset DX Digital Mortice Locks



Description

Lockwood DX Digital Locksets provide a mechanical method of keyless entry.

For extra security when under forced attack, the inbuilt clutching mechanism allows the outside turnknob to rotate without operating or damaging the lock.

The factory set 4 digit code is easily changed to any 4, 5 or 6 digit code using the code changing kit provided with each lock.

Lockwood Digital DX Locksets are designed to control access in commercial areas.

As the digital lockset utilizes mechanical operation, electrical wiring is not required.

Product Details

Door Thickness	32 to 50mm for timber doors. 35 to 50mm for metal doors
Finish	Codepad: Satin Chrome Brushed (SC) Mortice Lock: Stainless Steel (SS)
Codepad Assembly	High purity zinc alloy, 45mm wide, 164mm high, 52mm projection
Latch	Stainless steel with 15mm projection

Note: As suitability of lever will be influenced by the lock backset, refer to chart for Lever/Backset compatibility Lockwood Door Handle Catalogue. Lockwood 4800 and 5800 Series (ordered separately).

Backset

Open-out door: 23, 25.4, 30 and 38mm.

Open-in door: 38mm recommended.

Installation of 23, 25.4 or 30mm on open-in doors would require the door stop to be machined to clear the digital pad.

Inside Function

Opened by lever handle at all times.

Holdback Function

Holdback function is available, this requires the inclusion of an internal cylinder.

Selector® 3782 Short Backset DX Digital Mortice Locks

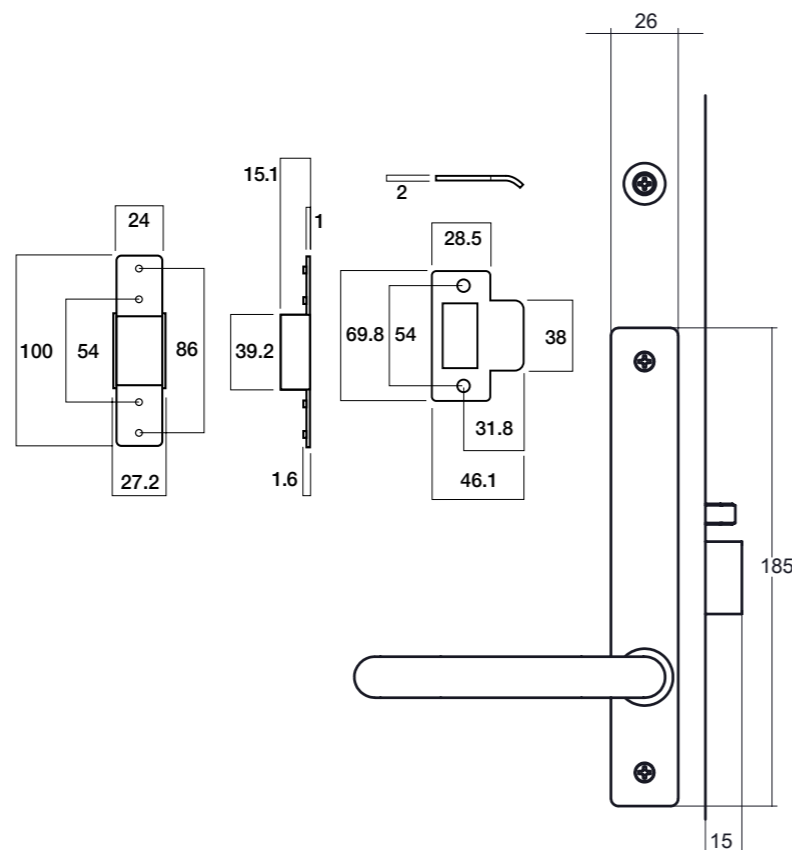
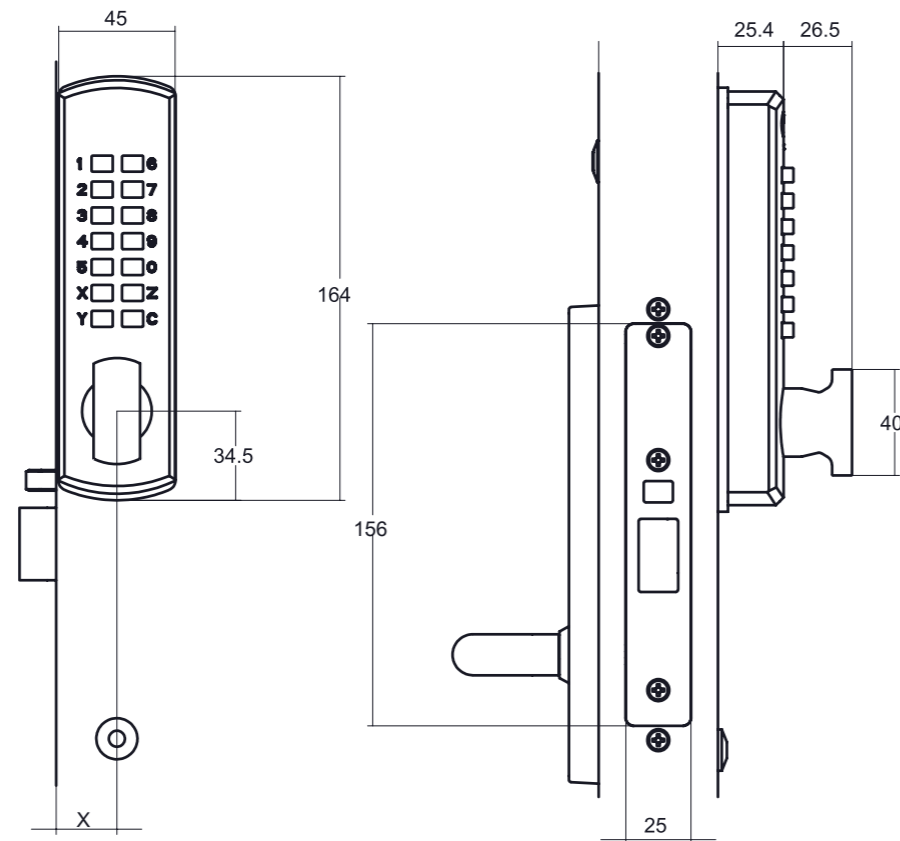
Selector® 3782 Short Backset DX Digital Mortice Locks



Exterior



Interior



Selector® 3782 Short Backset DX Digital Mortice Locks

Part Number	3782DX	4782DX	5782DX	6782DX
Dimension X	23	25.4	30	38

Note: Order by specifying 3782SS primary lock and 3782-DXKITSC.

DX Digital Mortice Lock

Part Number 3782DX-

DX Digital outside, plate furniture inside.
Outside: Opened by DX Digital with code.

Inside: Opened by handle at all times.

This function requires the locking bar to be positioned in the locked position once lock is set.

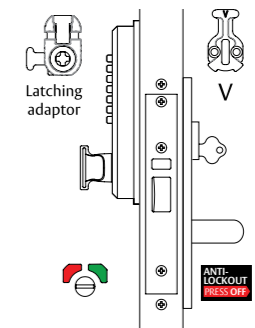
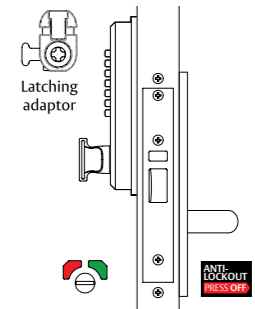
DX Digital Mortice Lock with Holdback by Cylinder#

Part Number 3782DXV

DX Digital outside, plate furniture and cylinder inside.

Outside: Opened by DX Digital with code.

Inside: Opened by handle at all times. Holdback activated by key. Key retracts latch after releasing holdback.



Notes:

All drawings shown are in right hand configuration. Part numbers shown above are for 23mm backset lock, if 25.4mm is required substitute 3 for 4 i.e. 4782, or if 30mm or 38mm lock is required, substitute 3 for 5 or 6 respectively i.e. 5782, 6782

#Latch bolt can be held within the lock. Lock function recommended for use in holdback application.

Warning:

The Mkl Latching Adaptor (now part number 3770M1-ADAPTOR) can only be used with the Mkl Selector Mortice Locks and the MkII Latching Adaptor (3770M2-ADAPTOR) can only be used with MkII Selector Mortice Locks. For the 3780 Series short backset mortice locks, the Mkl Latching Adaptor 3770M1-ADAPTOR must be used where a latching adaptor is required.

Legend

Hub Setting	
Anti-lockout Selection	
Cam or Adaptor	

Selector® 3782 Short Backset Key Override DX Digital Mortice Locks



Description

Lockwood DX Digital Locksets provide a mechanical method of keyless entry.

For extra security when under forced attack, the inbuilt clutching mechanism allows the outside turnknob to rotate without operating or damaging the lock.

The factory set 4 digit code is easily changed to any 4, 5 or 6 digit code using the code changing kit provided with each lock.

Lockwood Digital DX Locksets are designed to control access into commercial areas.

As the digital lockset utilizes mechanical operation, electrical wiring is not required.

Product Details

Door Thickness	43 to 46mm for metal doors
Finish	Codepad: Satin Chrome Brushed (SC) Mortice Lock: Stainless Steel (SS)
Codepad Assembly	High purity zinc alloy, 45mm wide, 164mm high, 52mm projection
Latch	Stainless steel with 15mm projection

Note: As suitability of lever will be influenced by the lock backset, refer to chart for Lever/Backset compatibility Lockwood Door Handle Catalogue. Lockwood 4800 and 5800 Series (ordered separately).

Backset

Open-out door: 23, 25.4, 30 and 38mm.
Open-in door: 38mm recommended.
Installation of 23, 25.4 or 30mm on open-in doors would require the door stop to be machined to clear the digital pad.

Inside Function

Opened by lever handle at all times.

Holdback Function

Holdback function is available, this requires the inclusion of an internal cylinder.

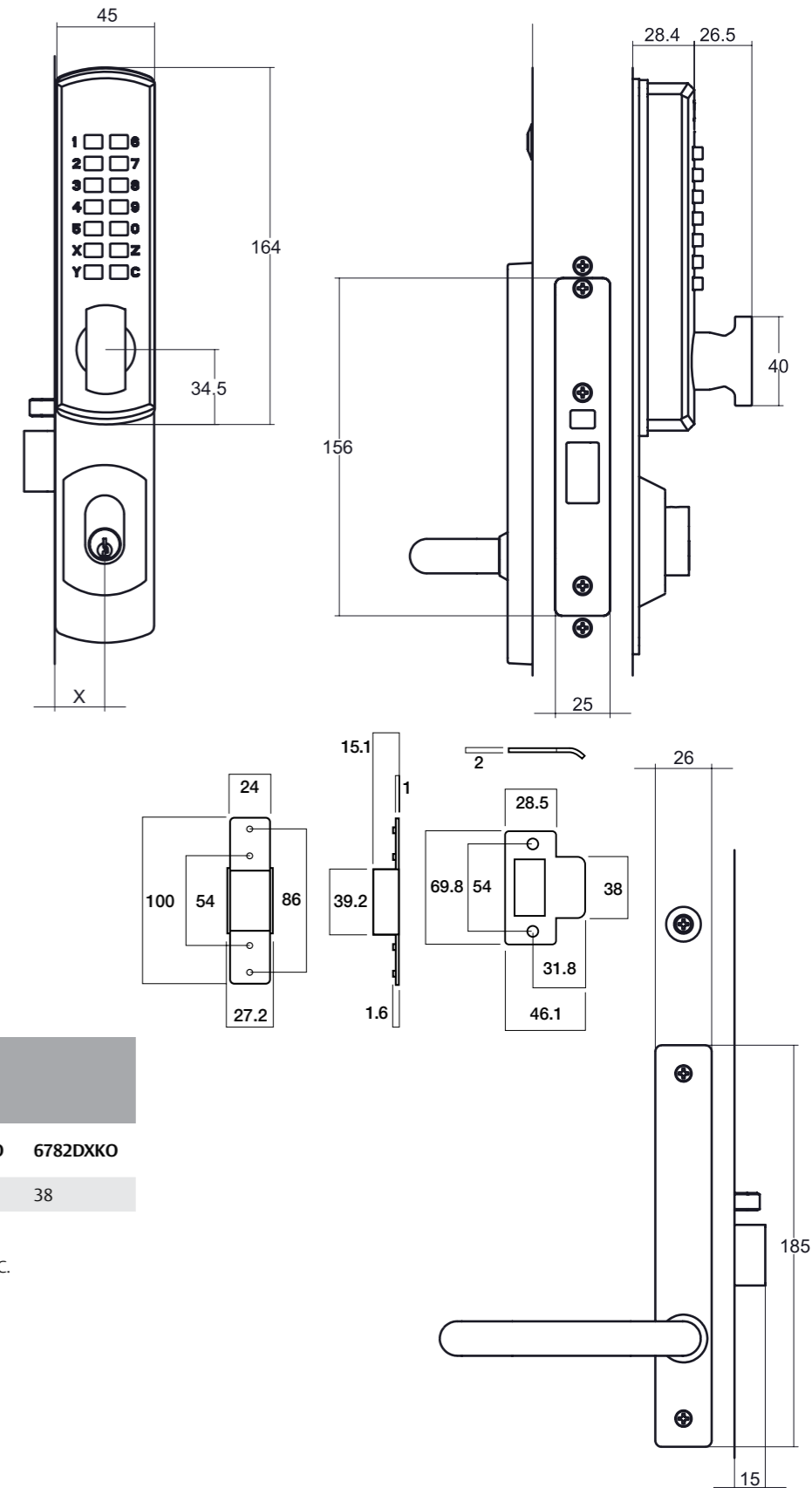
Selector® 3782 Short Backset Key Override DX Digital Mortice Locks



Exterior



Interior



Selector® 3782 Short Backset Key Override DX Digital Mortice Locks

Part Number	3782DXKO	4782DXKO	5782DXKO	6782DXKO
Dimension X	23	25.4	30	38

Note: Order by specifying 3782SS primary lock and 3782-DXKOKITSC. Cylinders must be ordered separately. Key Override DX Digital kit only suits 43-46mm door thickness.

Selector® 3782 Short Backset Key Override DX Digital Mortice Locks

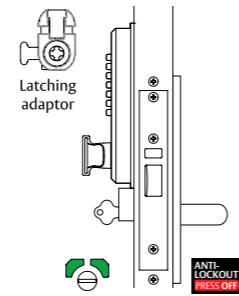
DX Digital Mortice Lock with Key Override

Part Number 3782DXKO-

DX Digital and lower cylinder outside, plate furniture inside.

Outside: Opened by DX Digital with code or key at all times.

Inside: Opened by handle at all times.



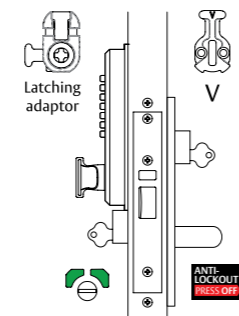
DX Digital Mortice Lock with Key Override and Internal Cylinder#

Part Number 3782DXKOV

DX Digital and lower cylinder outside, plate furniture
and cylinder inside.

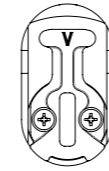
Outside: Opened by DX Digital with code or key at all times.

Inside: Opened by handle at all times. Holdback activated by key.
Key retracts latch after releasing holdback.



Mortice Locks Digital Accessories

Single Cylinder Assemblies

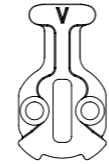


"V" Cam Cylinder
570C4/V

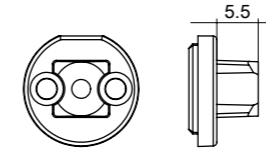


3777 Lower Cylinder
with Spindle Cam
570EC4/77

Cylinder Cams

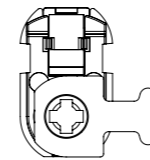


"V" Cam
SP3700/VCAM

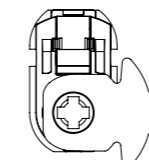


3777 Spindle Cam
SP3777/CAM

Adaptors



Latching Adaptor
3770M1-ADAPTOR



Latching Adaptor
3770M2-ADAPTOR

Notes:

All drawings shown are in right hand configuration. Part numbers shown above are for 23mm backset lock, if 25.4mm is required substitute 3 for 4 i.e. 4787, or if 30mm or 38mm lock is required, substitute 3 for 5 or 6 respectively i.e. 5787, 6787

#Latch bolt can be held within the lock. Lock function recommended for use in holdback application.

Warning:

The MkI Latching Adaptor (now part number 3770M1-ADAPTOR) can only be used with the MkI Selector Mortice Locks and the MkII Latching Adaptor (3770M2-ADAPTOR) can only be used with MkII Selector Mortice Locks. For the 3780 Series short backset mortice locks, the MkI Latching Adaptor 3770M1-ADAPTOR must be used where a latching adaptor is required.

Legend	
Hub Setting	
Anti-lockout Selection	
Cam or Adaptor	

Mortice Locks Digital Accessories

Selctor® 3770 Series DX Digital Kits

Part Number	Application
3772-DXKITSC	DX Digital Kit

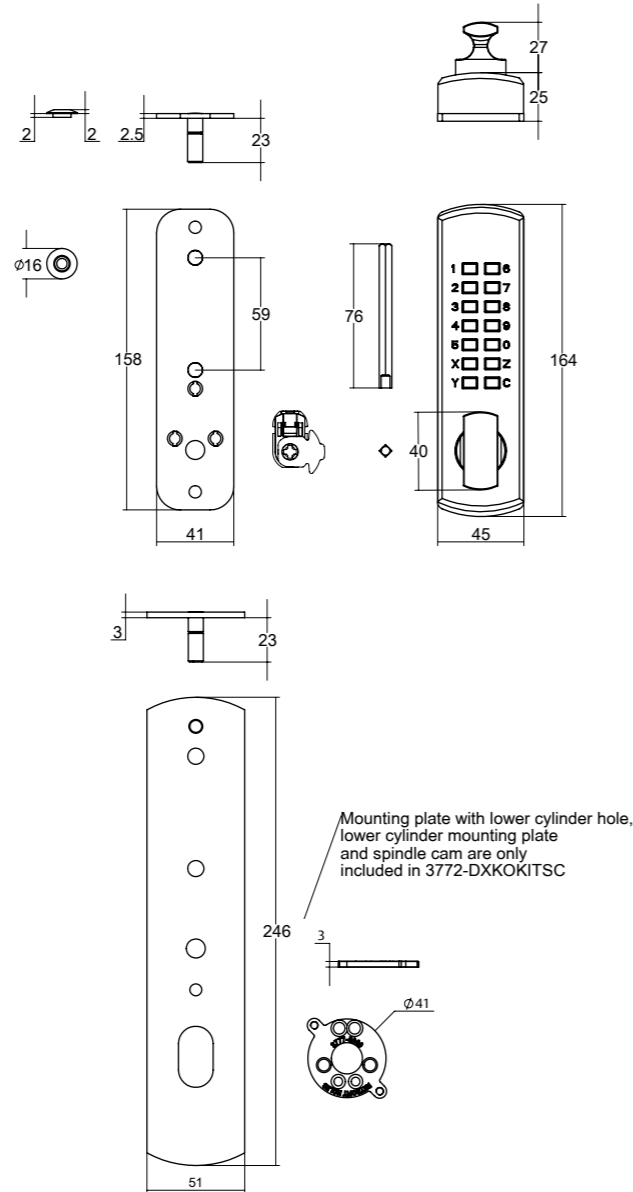
3772-DXKOKITSC	DX Digital with Key Override Kit
----------------	----------------------------------

DX Digital kits include: Digital codepad, mounting plate, codepad spindle, associated mounting screws and a latching adaptor.

Cylinders and door furniture (1800 or 2800 series) must be ordered separately.

Warning:

The Mkl Latching Adaptor (now part number 3770M1-ADAPTOR) can only be used with the Mkl Selector Mortice Locks and the Mkl Latching Adaptor (3770M2-ADAPTOR) can only be used with Mkl Selector Mortice Locks.



Mortice Locks Digital Accessories

Selctor® 3780 Series DX Digital Kits

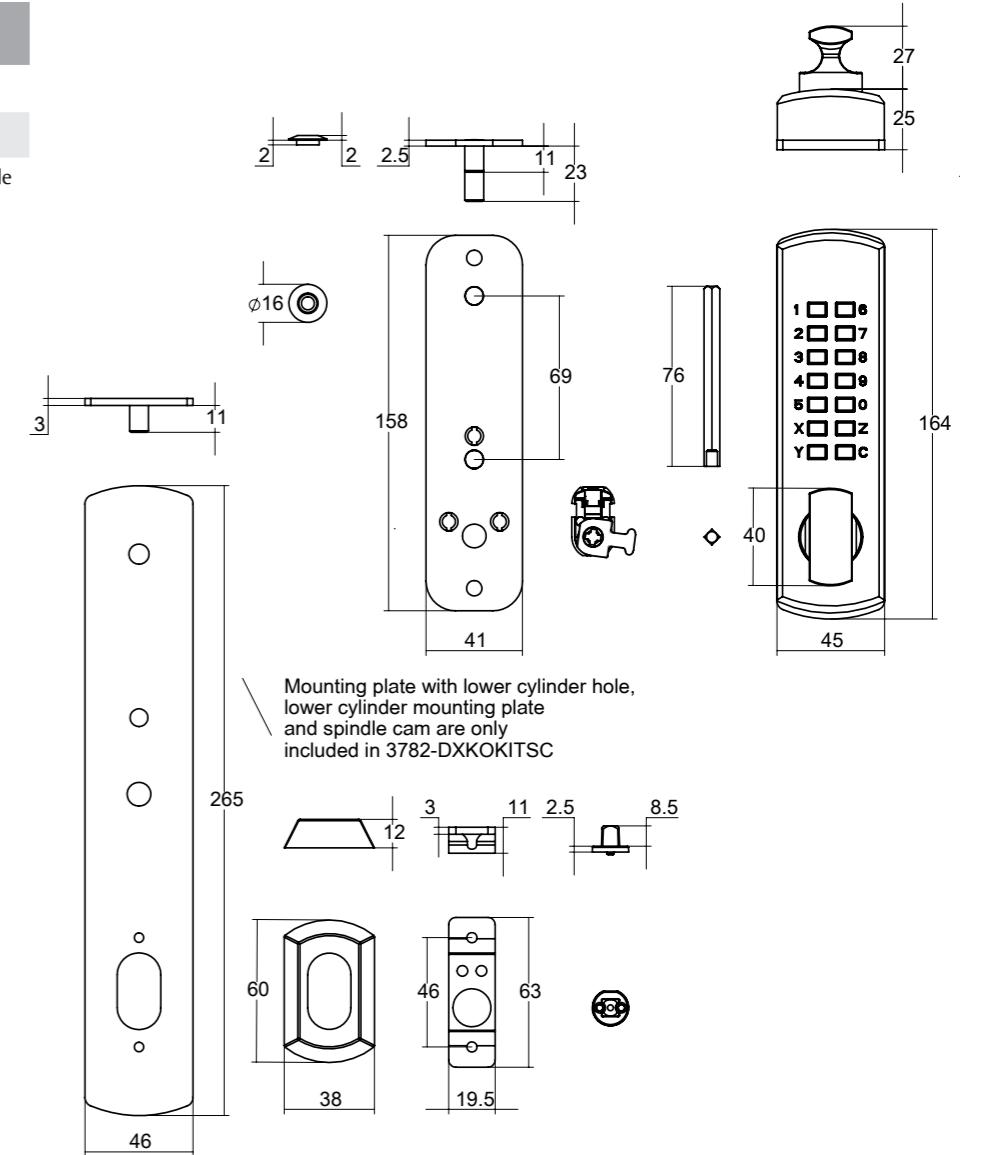
Part Number	Application
3782-DXKITSC	DX Digital Kit

3782-DXKOKITSC	DX Digital with Key Override Kit
----------------	----------------------------------

DX Digital kits include: Digital codepad, mounting plate, codepad spindle, associated mounting screws and a latching adaptor.

Cylinders and door furniture (4800 or 5800 series) must be ordered separately.

DX Digital with Key Override only suitable on doors 43-46mm thick.



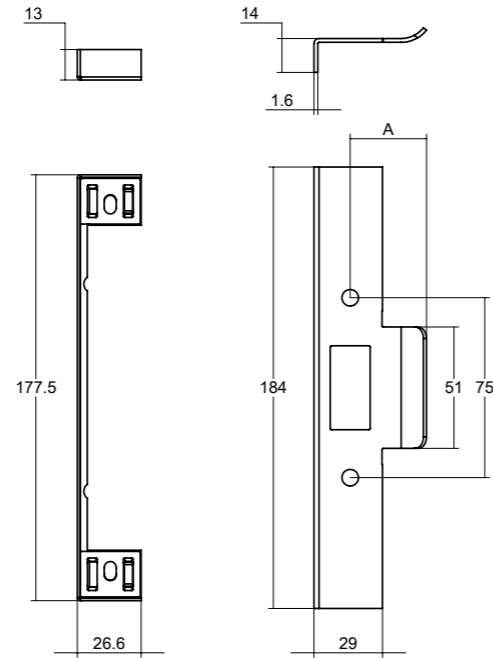
Mortice Locks Digital Accessories

Selctor® 3770 Series Rebate Kits

Part Number	Series
3772-RK32XX	3770

Rebate kits to suit standard 13mm standard rebate are available. Only suitable for use within 30mm and 38mm backset locks.

To order, add finish code to part number. XX designates the finish.

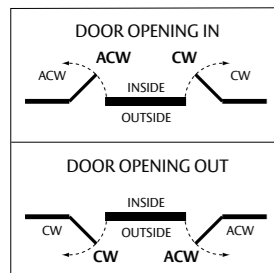
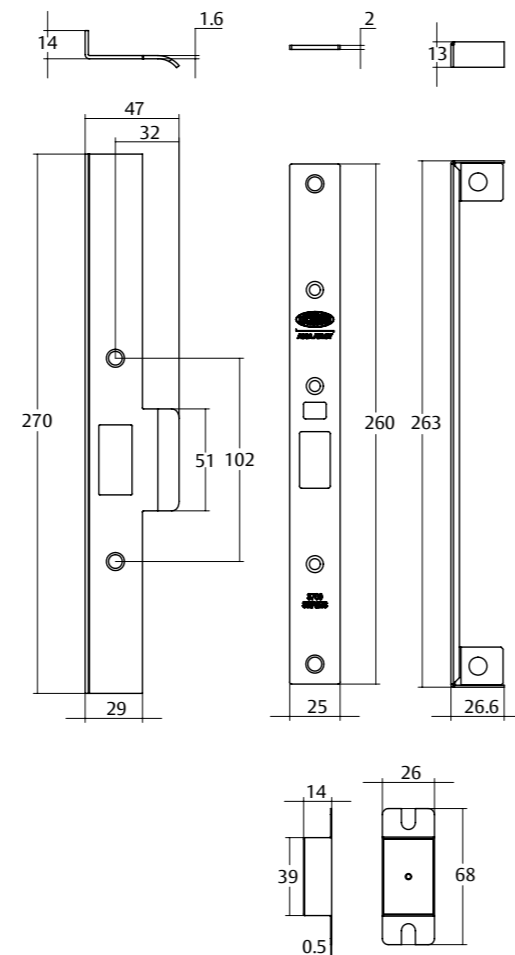


Selctor® 3780 Series Rebate Kits

Part Number	Series
5782-RKCWXX	3780
5782-RKACWXX	3780

Rebate kits to suit standard 13mm standard rebate are available. Only suitable for use within 30mm and 38mm backset locks.

To order, add finish code to part number. XX designates the finish.



CW Left Hand open in
(Clockwise) Right Hand open out

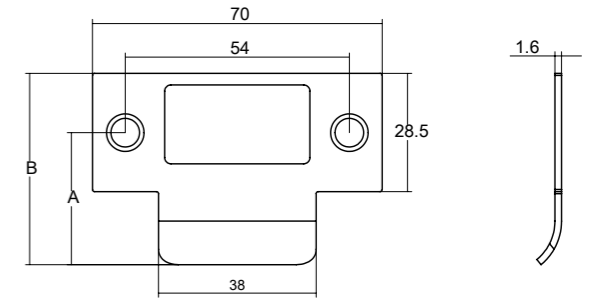
ACW Left Hand open out
(Anti-Clockwise) Right Hand open in

Selctor® 3770 Series Short/Extended Lipped Strikes

Part Number	Lip Length A	Lip Length B
3772-STK25XX	25.4mm	39.3mm
3772-STK32XX	32mm	46.1mm
3772-STK43XX	43.5mm	57.8mm
3772-STK47XX	47.5mm	61.8mm
3772-STK60XX*	60mm	74.2mm

To order, add finish code to part number. XX designates the finish.

SS - Stainless Steel, CP - Chrome Plate, PB - Polished Brass
*Only available in Stainless Steel (SS) finish.

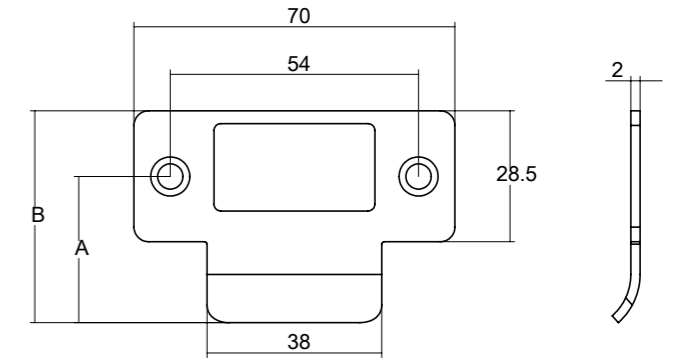


Selctor® 3780 Series Short Extended Lipped Strikes

Part Number	Lip Length A	Strike Length B
3782-STK32XX	32mm	46.1mm
3782-STK74XX*	74mm	88.5mm

To order, add finish code to part number. XX designates the finish.

SS - Stainless Steel, CP - Chrome Plate, PB - Polished Brass
*Only available in Stainless Steel (SS) finish.



Selector® 3770 & 3780 Series Cam and Adaptors Function Chart

Selector® 3770 Series Cam and Adaptors Function Chart

Selector® 3770 Series	Function Description	Primary Lock	Outside Cylinder Cam/Adaptor	Inside Cylinder Cam/Adaptor	Kit
<i>Selector® 3772 DX Digital Locks</i>					
3772DX-SS	DX Digital Mortice Lock	3772SS	3770M2-ADAPTOR	-	3772-DXKITSC
3772DXVHSS	DX Digital Mortice Lock with Holdback by Cylinder	3772SS	3770M2-ADAPTOR	V	3772-DXKITSC
3772DXKO-SS	Key Override DX Digital Mortice Lock	3772SS	3770M2-ADAPTOR, 3777 SPINDLE CAM	-	3772-DXKOKITSC
3772DXKOVHSS	Key Override DX Digital Mortice Lock with Holdback by Cylinder	3772SS	3770M2-ADAPTOR, 3777 SPINDLE CAM	V	3772-DXKOKITSC

Notes: Items in Italics are Primary locks and can be purchased from ASSA ABLOY. Purchased configurations include adaptors as required. Cylinders must be ordered separately.

Selector® 3780 Series Cam and Adaptors Function Chart

Selector® 3780 Series	Function Description	Primary Lock	Outside Cylinder Cam/Adaptor	Inside Cylinder Cam/Adaptor	Kit
<i>Selector® 3782 DX Digital Locks</i>					
3782DX-SS	DX Mechanical Digital Mortice Lock	3782SS	3770M1-ADAPTOR	-	3782-DXKITSC
3782DXVSS#	DX Mechanical Digital Mortice Lock with Internal Cylinder	3782SS	3770M1-ADAPTOR	V	3782-DXKITSC
3782DXKO-SS	DX Mechanical Digital Mortice Lock with Key Override	3782SS	3770M1-ADAPTOR	-	3782-DXKOKITSC
3782DXKOVSS#	DX Mechanical Digital Mortice Lock with Key Override and Internal Cylinder	3782SS	3770M1-ADAPTOR	V	3782-DXKOKITSC

Note: Items in Italics are Primary Locks and can be purchased from ASSA ABLOY.
 #Lock function suitable for holdback application. Holdback can be activated at any time - unless anti-lockout is selected.
 Cylinders sold separately, purchased configurations include adaptors as required.
 Only 30mm and 38mm backset locks are suitable in DXs configurations on opening in doors.

Mechanical Digital DX Mortice Locks

Ordering Procedure

Sample part number 3772DXKOVHSS is made up of several sections. Choose your product by selecting an option from each section.

Mortice Digital DX Locks Ordering Procedure

Backset	Series	Platform	Function	Sub Function	Anit-lockout Selection	Finish
3	7	7	2	DXKO	VH	SS
Backset	Functions	Special Cylinder Function				
60mm 3	Escape Lock 2	None -				
89mm 4		Hold Back by Cylinder VH				
127mm 5	Sub Function	Finish				
Short Backset	DX Digital DX	Stainless Steel SS				
23mm 3	DX Digital with Key Override DXKO					
25.4mm 4						
30mm 5						
38mm 6						
Series	Selector® Series Mortice Locks 7					
Platform	Standard Backset 7					
	Short Backset 8					

002/530 Digital DX Ordering Procedure

Hardware Code	Keypad Code	Finish	Packaging	Special Functions
530	DX	SC	DP	
Hardware Code	Keypad Code	Finish	Packaging	Special Functions
530 Latch Plate 530	Digital DX DX	Satin Chrome Pearl SC	Display Pack DP	None
002 Deadlatch Knob Timber Frame 002-1K		* 530 Variations only	Trade Pack -	Double Keypad /PADSX2
002 Deadlatch Knob Metal Frame 002-3K				* Double keypad version available 530 variations in trade pack only
002 Deadlatch Knob Open Out 002-4K				
002 Deadlatch Lever Timber Frame 002-1L				
002 Deadlatch Lever Metal Frame 002-3L				
002 Deadlatch Lever Open Out 002-4L				



M&B



M&B

QUALITY BUILDING PRODUCTS

QUALITY BUILDING PRODUCTS

BAYSWATER

144 Beechboro Rd South
Bayswater, Perth
+61 8 9473 5100

BUNBURY

50 McCombe Road
Bunbury
+61 8 9724 8900

GERALDTON

315 Place Road
Geraldton
+61 8 9960 5000

ALBANY

68 Cockburn Road
Albany
+61 8 9844 5200

BUSSELTON

9 Trumper Drive,
Busselton
+61 8 9752 7900

MANDURAH

25 Hampton Street
Mandurah
+61 8 9583 8000

mbsales.com.au