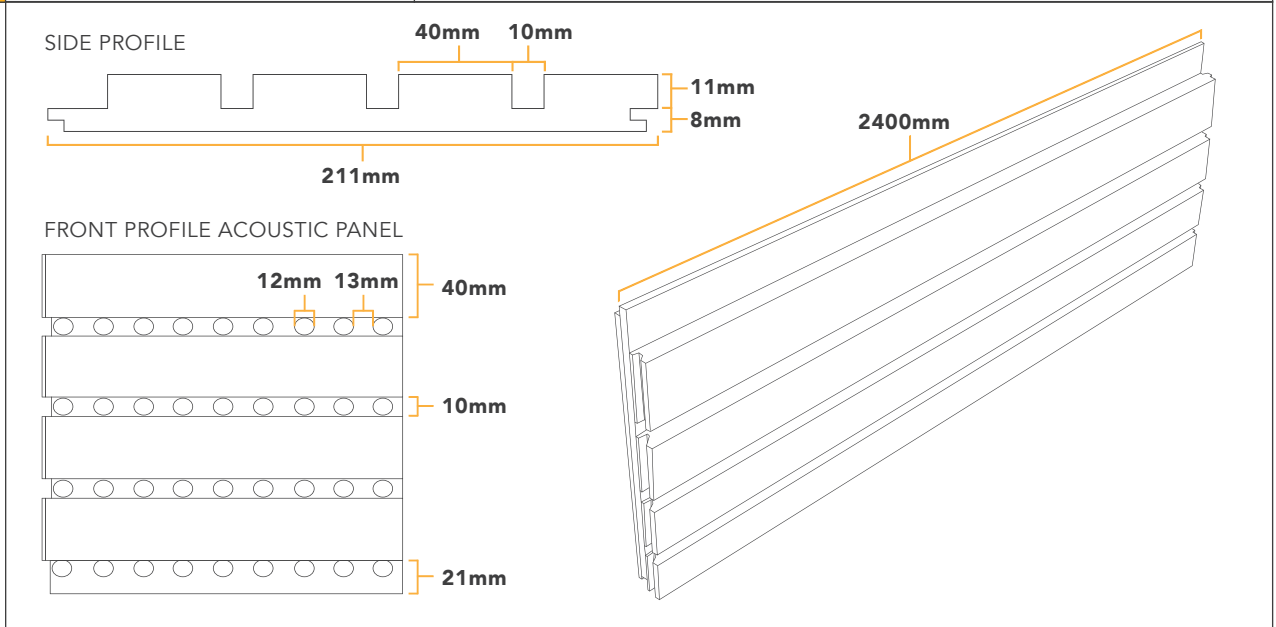


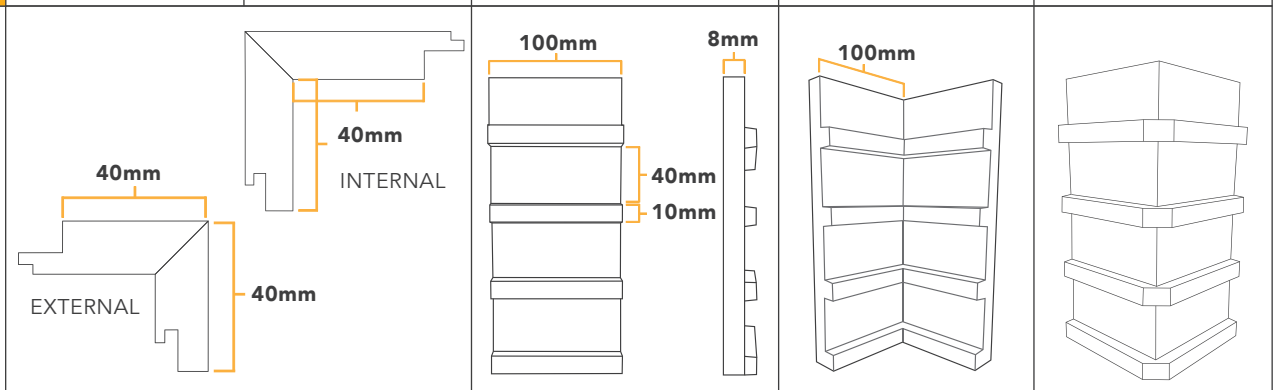
	PANEL	ACOUSTIC PANEL
CODE	40/10	40/10 ACOUSTIC
DESC	2400 x 200 cover Solid feature panel.	2400 x 200 cover Perforated with acoustic scrim for sound absorption.



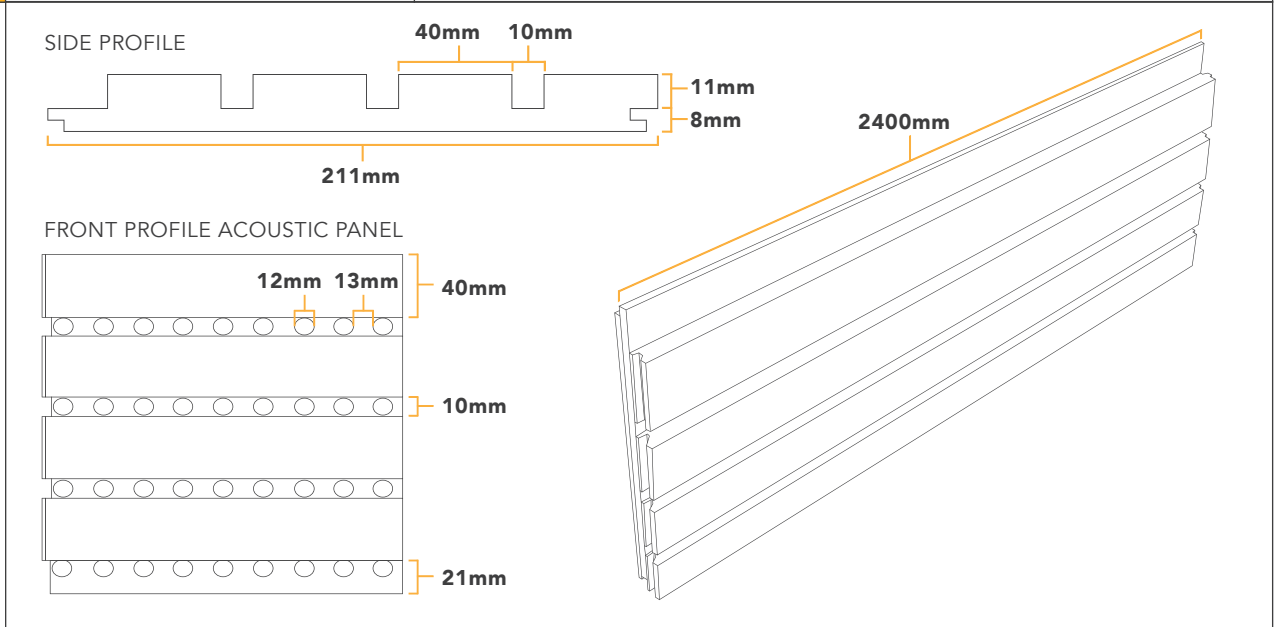
CEILING SERVICE BLANK

CODE	190SB	390SB
DESC	190 x 190 Service Blank for lighting	390 x 390 Service Blank for air-conditioning etc.

	CORNER PANEL		FLAT JOIN		EXTERNAL JOIN		INTERNAL JOIN	
CODE	40 EXTERNAL	40 INTERNAL	100 FLAT	50 FLAT	100 EXT	50 EXT	100 INT	50 EXT
DESC	2400x 40 External corner trim.	2400 x 40 Internal corner trim.	2400 x 100/50 Flat cover batten.		2400 x 100/50 External corner.		2400 x 100/50 Internal corner.	

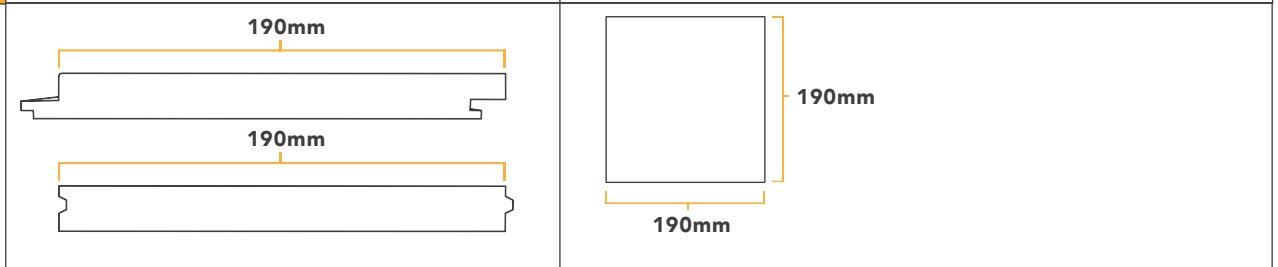


	PANEL	ACOUSTIC PANEL
CODE	40/10	40/10 ACOUSTIC
DESC	2400 x 200 cover Solid feature ceiling panel.	2400 x 200 cover Perforated with acoustic scrim for sound absorption.



CEILING SERVICE BLANK

CODE	190SB	390SB
DESC	190 x 190 Service Blank for lighting	390 x 390 Service Blank for air-conditioning etc.



	CORNER PANEL		FLAT JOIN	EXTERNAL JOIN	INTERNAL JOIN
CODE	40 EXTERNAL	40 INTERNAL	100 FLAT	100 EXTERNAL	100 INTERNAL
DESC	2400x 40 External corner trim.	2400 x 40 Internal corner trim.	2400 x 100 Flat cover batten.	2400 x 100 External corner.	2400 x 100 Internal corner.

